

Parts Catalogue

for model
NJA 102 Hydro

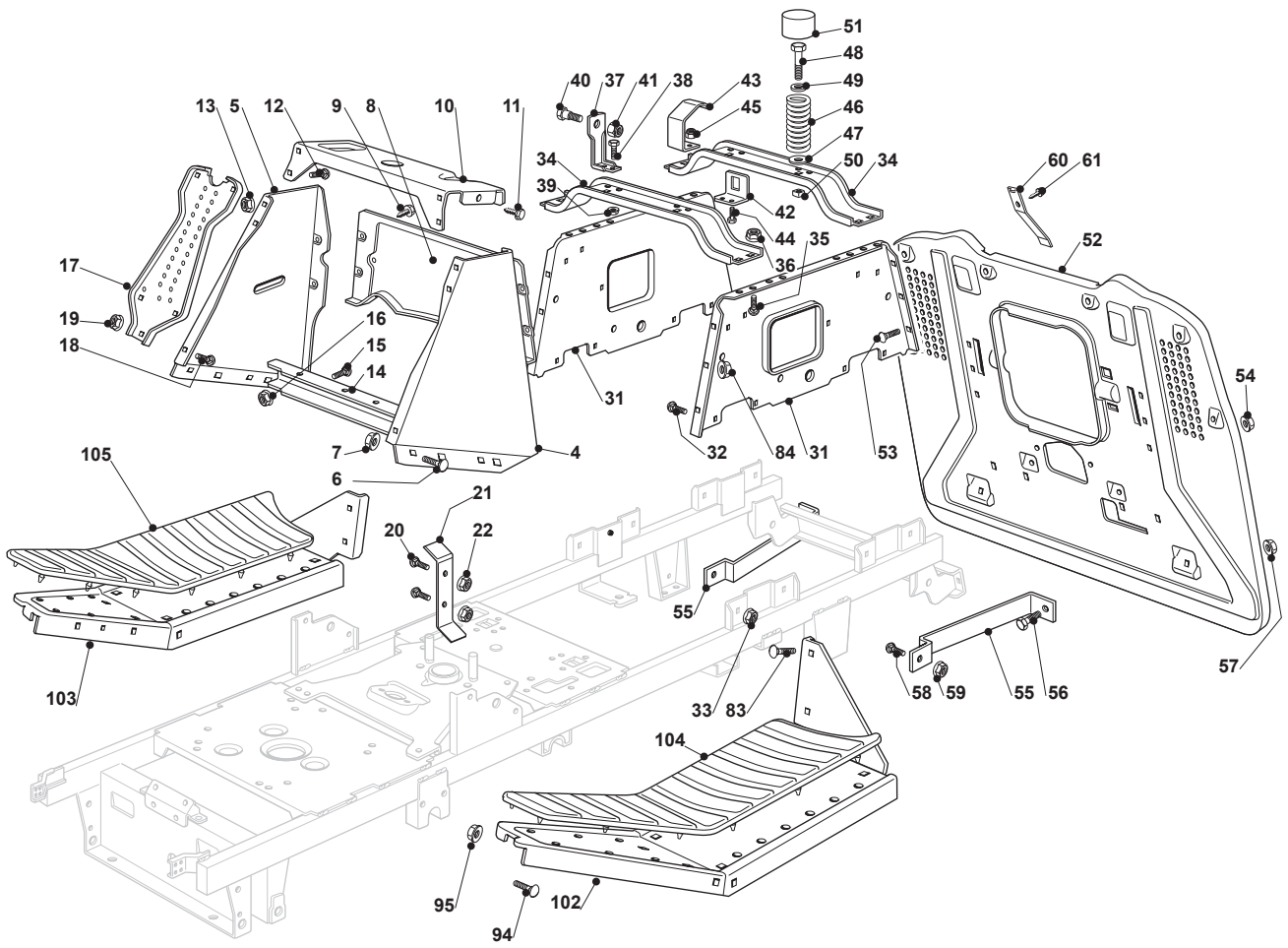
- Use GLOBAL GARDEN PRODUCT Genuine Spare Parts specified in the parts list for repair and/or replacement.
- The contents described in the parts list may change due to improvement.
- The drawings of the spare parts are only indicative and might not represent the part in question exactly.
- The indications "right" - "left" - "front" - "rear" refer to the position of the operator when using the machine.
- When placing orders of parts for repair and/or replacement, make sure that the illustrated parts list is the one applying to the machine's year of manufacture, as shown on the identification plate attached to the machine.

© Copyright 2015 Global Garden Products

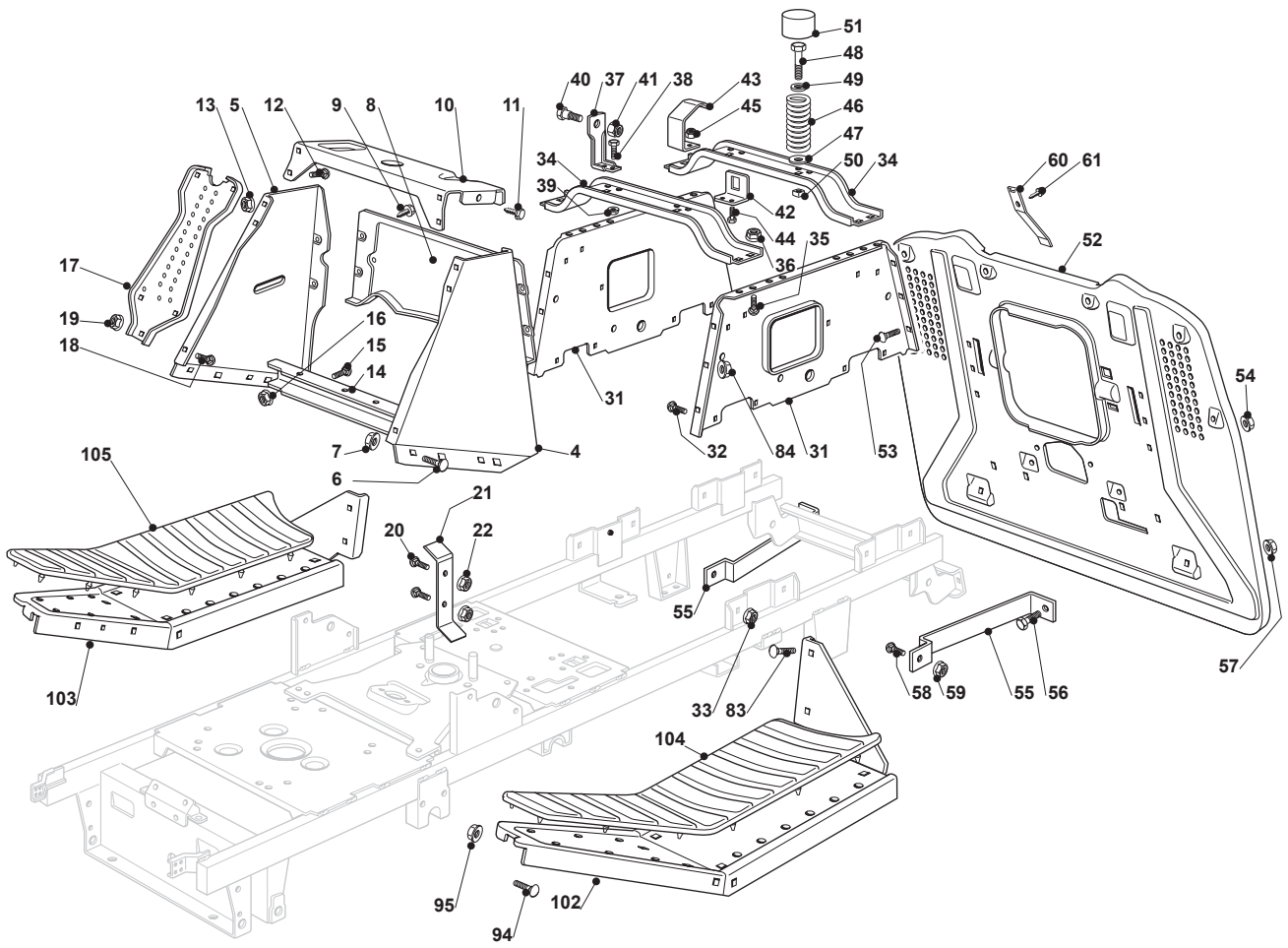
All content is subject to copyright by Global Garden Products and may not be reproduced in whole or in part by any means, electronic or otherwise, without prior written approval.

THIS INFORMATION IS NOT INTENDED FOR SALE OR RESALE, AND THIS NOTICE MUST REMAIN ON ALL COPIES.

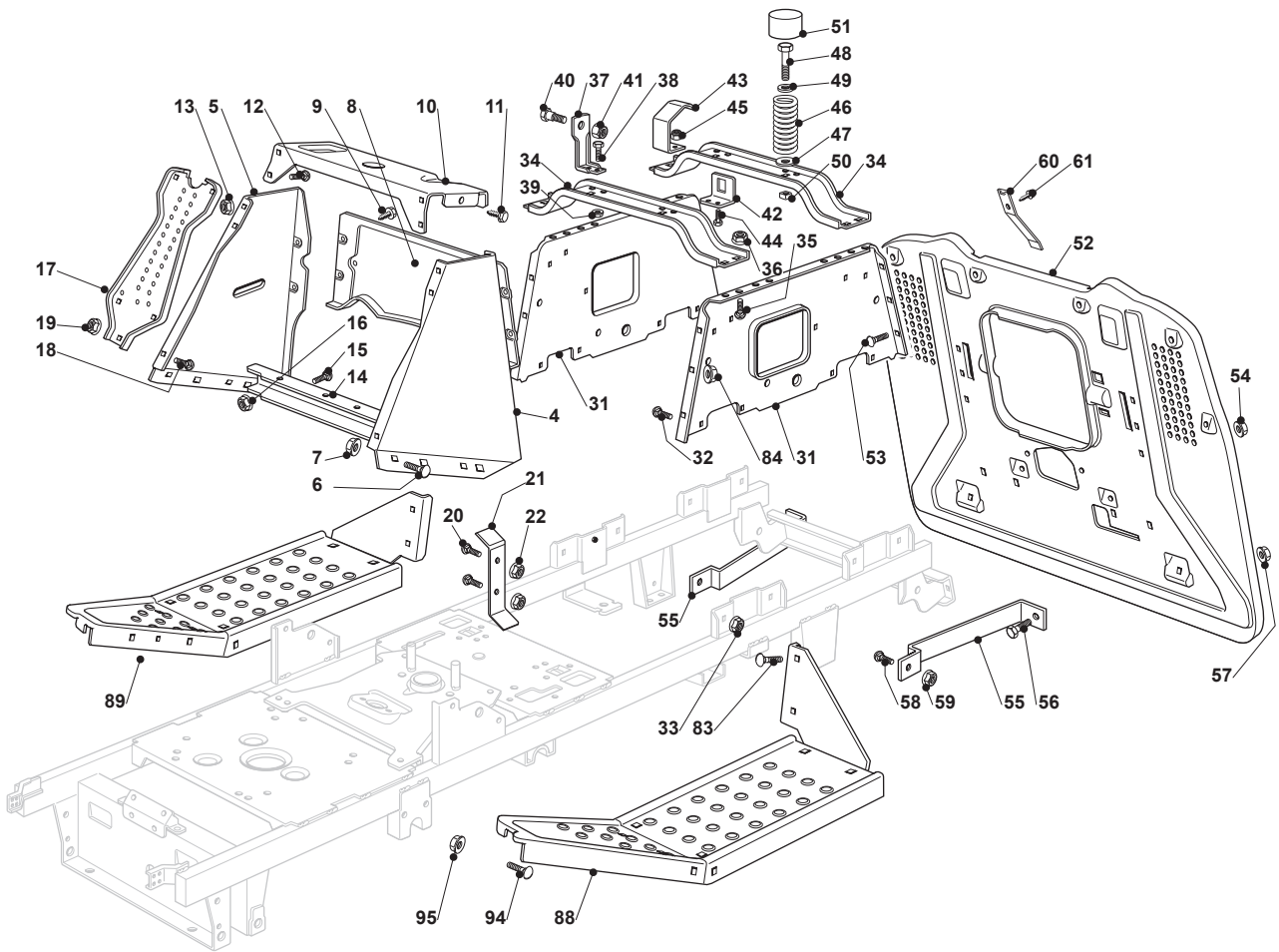




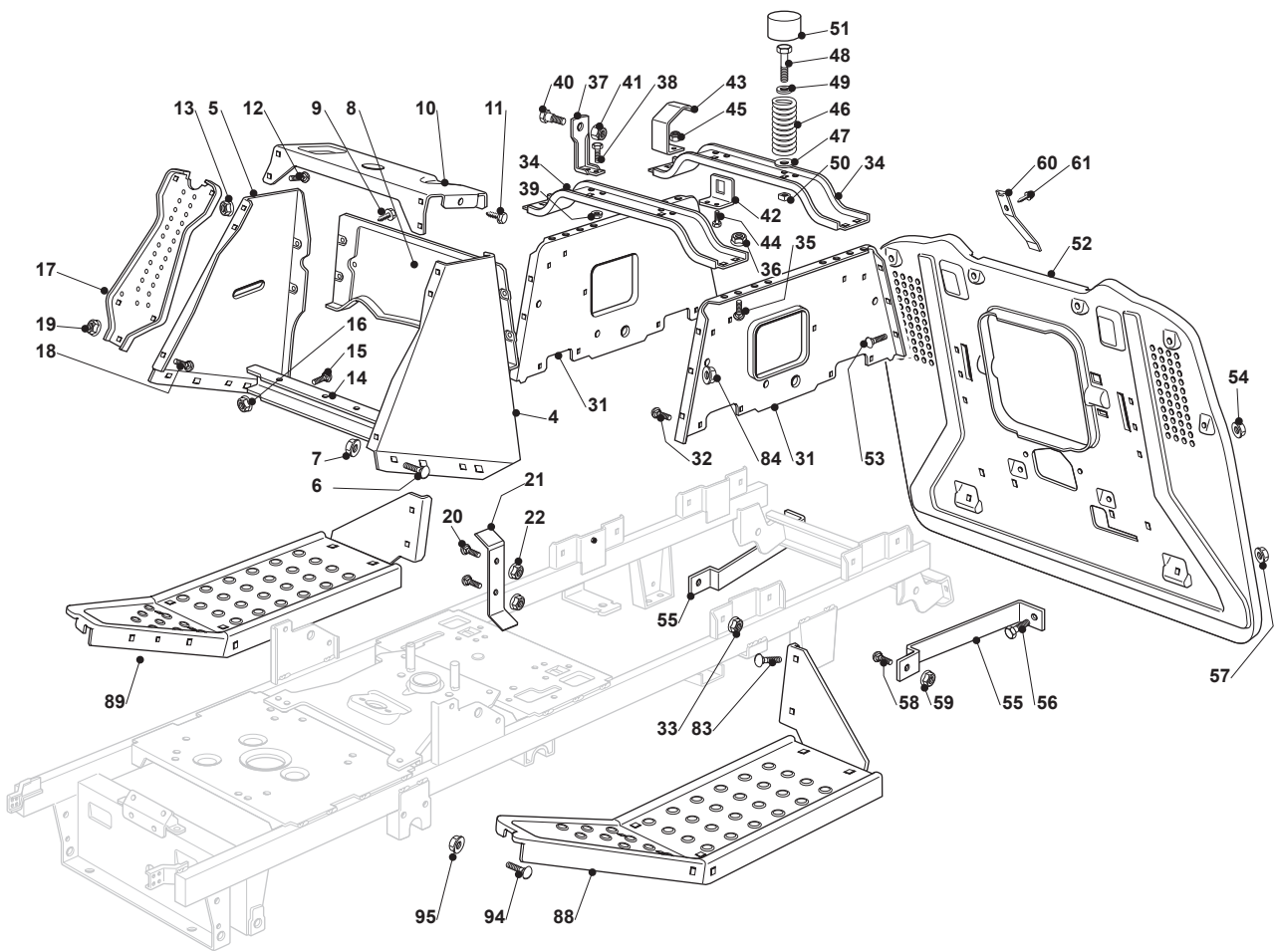
| Fig. | Quantity | Part No | Description | Notes |
|------|----------|-------------|---------------------------|-------|
| 4 | 1 | 325785243/1 | Left Dashboard Support | |
| 5 | 1 | 325785245/0 | Right Dashboard Support | |
| 6 | 4 | 112818690/0 | Screw | |
| 7 | 4 | 112293201/0 | Nut | |
| 8 | 1 | 382785151/2 | Rear Dashboard Support | |
| 9 | 4 | 112735110/0 | Screw | |
| 10 | 1 | 325785255/0 | Central Dashboard Support | |
| 11 | 2 | 112735110/0 | Screw | |
| 12 | 4 | 112815200/0 | Screw | |
| 13 | 4 | 112292102/0 | Nut | |
| 14 | 1 | 325785241/0 | Support | |
| 15 | 2 | 112815200/0 | Screw | |
| 16 | 2 | 112292102/0 | Nut | |
| 17 | 2 | 382785153/1 | Front Dashboard Support | |
| 18 | 2 | 112815200/0 | Screw | |
| 19 | 2 | 112292102/0 | Nut | |
| 20 | 2 | 112793102/0 | Screw | |
| 21 | 1 | 325785499/0 | Support | |
| 22 | 2 | 112293201/0 | Nut | |
| 31 | 2 | 325785249/1 | Seat Support | |
| 32 | 8 | 112815200/0 | Screw | |
| 33 | 8 | 112292102/0 | Nut | |
| 34 | 2 | 325785257/1 | Seat Support | |
| 35 | 8 | 112818690/0 | Screw | |
| 36 | 8 | 112293201/0 | Nut | |
| 37 | 2 | 325755039/0 | Bracket | |
| 38 | 4 | 112792611/0 | Screw | |
| 39 | 4 | 112293201/0 | Nut | |
| 40 | 2 | 122524970/2 | Fulcrum Pin | |
| 41 | 3 | 112155010/0 | Nut | |
| 42 | 1 | 325755043/0 | Bracket | |
| 43 | 1 | 325430253/0 | Spring | |
| 44 | 2 | 112789000/0 | Screw | |
| 45 | 2 | 112154330/0 | Nut | |
| 46 | 2 | 125430257/1 | Spring | |
| 47 | 2 | 112523070/0 | Washer | |
| 48 | 2 | 112760515/0 | Screw | |
| 49 | 2 | 122671653/0 | Washer | |
| 50 | 2 | 112360425/0 | Nut | |
| 51 | 2 | 325122000/2 | Spring | |
| 52 | 1 | 382547041/1 | Plate | |
| 53 | 6 | 112792611/0 | Screw | |
| 54 | 6 | 112293201/0 | Nut | |
| 55 | 2 | 325650147/0 | Plate Stiffening | |
| 56 | 2 | 112792611/0 | Screw | |
| 57 | 2 | 112293201/0 | Nut | |
| 58 | 2 | 112792611/0 | Screw | |
| 59 | 2 | 112293201/0 | Nut | |
| 60 | 1 | 125430276/0 | Spring | |
| 61 | 1 | 112735110/0 | Screw | |
| 83 | 4 | 112792611/0 | Screw | |



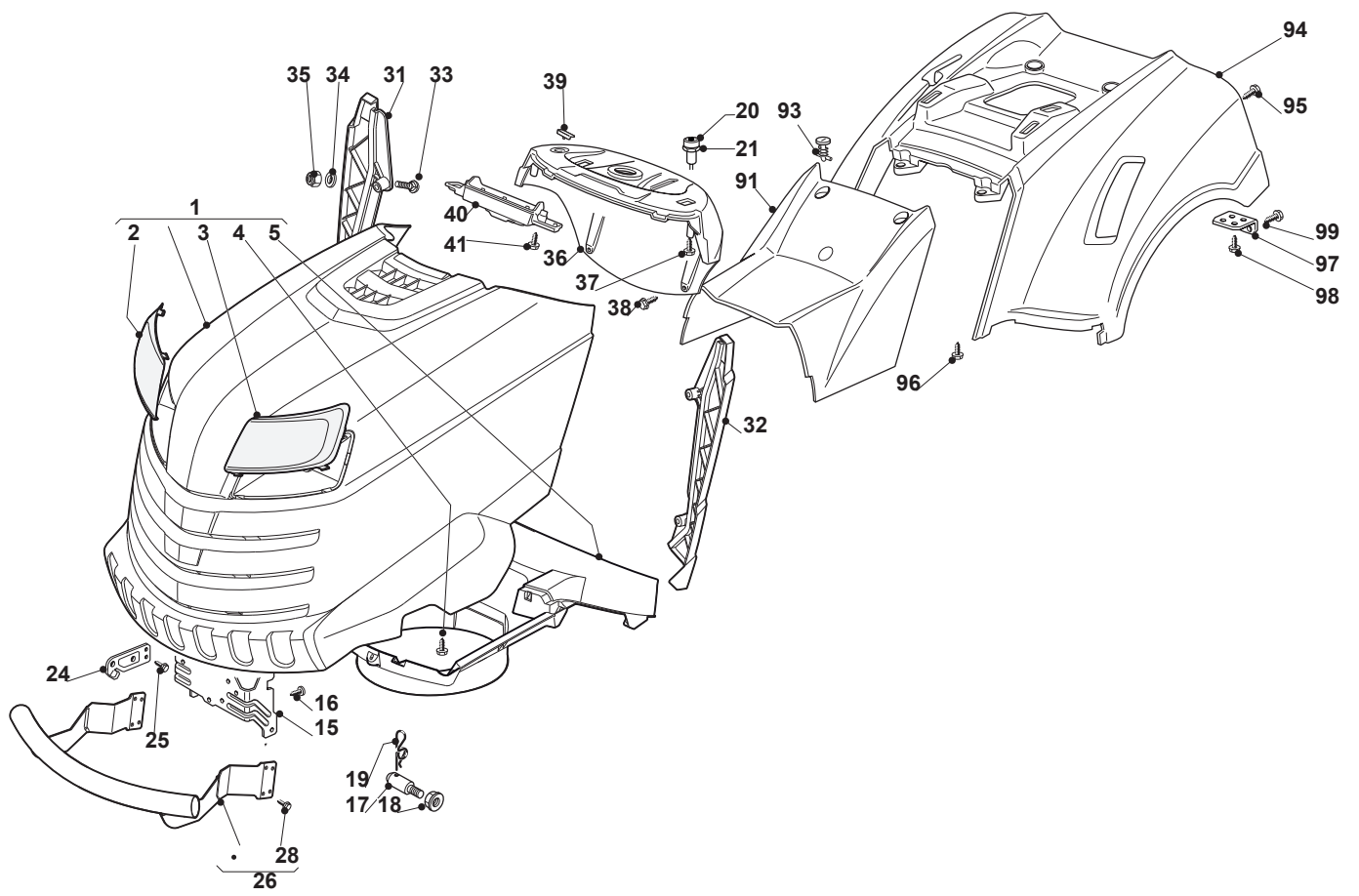
| Fig. | Quantity | Part No | Description | Notes |
|------|----------|-------------|-------------------------|-------|
| 84 | 4 | 112293201/0 | Nut | |
| 94 | 4 | 112815200/0 | Screw | |
| 95 | 4 | 112292102/0 | Nut | |
| 102 | 1 | 382510083/0 | Left Footboard Support | |
| 103 | 1 | 382510081/0 | Right Footboard Support | |
| 104 | 1 | 325110327/0 | Left Footboard Cover | |
| 105 | 1 | 325110326/0 | Right Footboard Cover | |



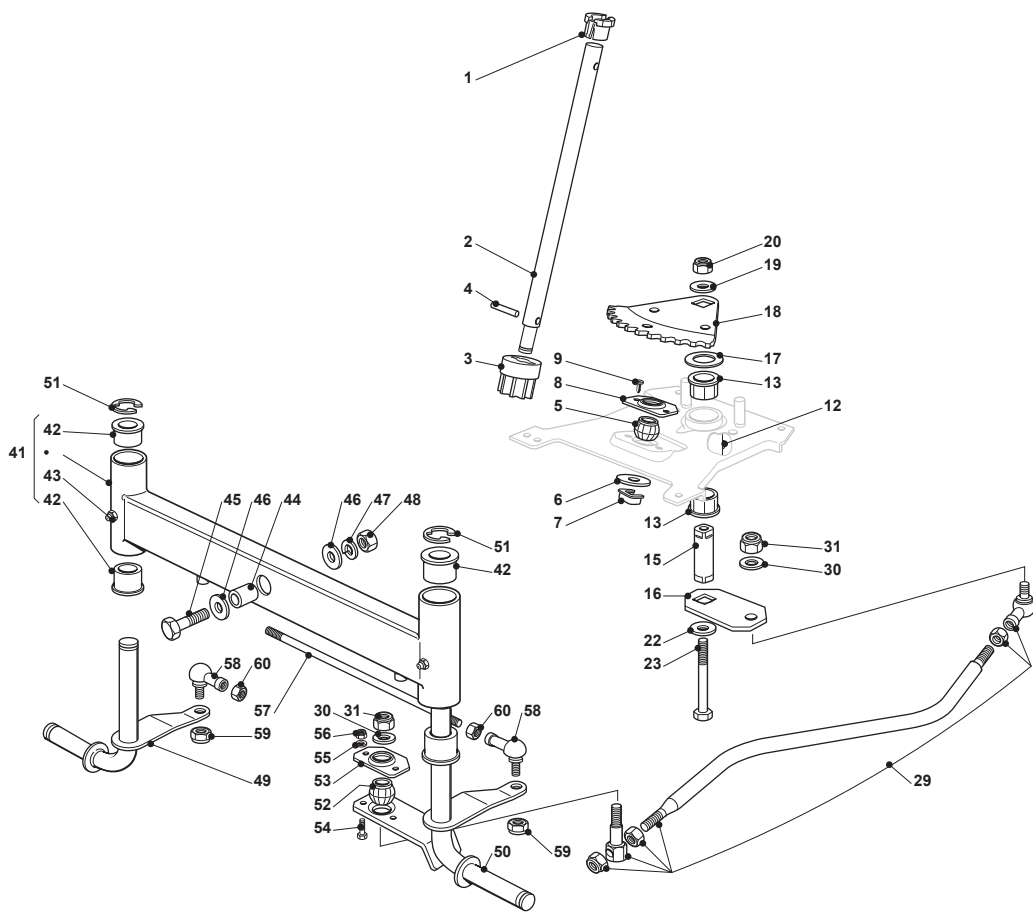
| Fig. | Quantity | Part No | Description | Notes |
|------|----------|-------------|---------------------------|-------|
| 4 | 1 | 325785243/1 | Left Dashboard Support | |
| 5 | 1 | 325785245/0 | Right Dashboard Support | |
| 6 | 4 | 112818690/0 | Screw | |
| 7 | 4 | 112293201/0 | Nut | |
| 8 | 1 | 382785151/2 | Rear Dashboard Support | |
| 9 | 4 | 112735110/0 | Screw | |
| 10 | 1 | 325785255/0 | Central Dashboard Support | |
| 11 | 2 | 112735110/0 | Screw | |
| 12 | 4 | 112815200/0 | Screw | |
| 13 | 4 | 112292102/0 | Nut | |
| 14 | 1 | 325785241/0 | Support | |
| 15 | 2 | 112815200/0 | Screw | |
| 16 | 2 | 112292102/0 | Nut | |
| 17 | 2 | 382785153/1 | Front Dashboard Support | |
| 18 | 2 | 112815200/0 | Screw | |
| 19 | 2 | 112292102/0 | Nut | |
| 20 | 2 | 112793102/0 | Screw | |
| 21 | 1 | 325785499/0 | Support | |
| 22 | 2 | 112293201/0 | Nut | |
| 31 | 2 | 325785249/1 | Seat Support | |
| 32 | 8 | 112815200/0 | Screw | |
| 33 | 8 | 112292102/0 | Nut | |
| 34 | 2 | 325785257/1 | Seat Support | |
| 35 | 8 | 112818690/0 | Screw | |
| 36 | 8 | 112293201/0 | Nut | |
| 37 | 2 | 325755039/0 | Bracket | |
| 38 | 4 | 112792611/0 | Screw | |
| 39 | 4 | 112293201/0 | Nut | |
| 40 | 2 | 122524970/2 | Fulcrum Pin | |
| 41 | 2 | 112155010/0 | Nut | |
| 42 | 1 | 325755043/0 | Bracket | |
| 43 | 1 | 325430253/0 | Spring | |
| 44 | 2 | 112789000/0 | Screw | |
| 45 | 2 | 112154330/0 | Nut | |
| 46 | 2 | 125430257/1 | Spring | |
| 47 | 2 | 112523070/0 | Washer | |
| 48 | 2 | 112760515/0 | Screw | |
| 49 | 2 | 122671653/0 | Washer | |
| 50 | 2 | 112360425/0 | Nut | |
| 51 | 2 | 325122000/2 | Spring | |
| 52 | 1 | 382547041/1 | Plate | |
| 53 | 6 | 112792611/0 | Screw | |
| 54 | 6 | 112293201/0 | Nut | |
| 55 | 2 | 325650147/0 | Plate Stiffening | |
| 56 | 2 | 112792611/0 | Screw | |
| 57 | 2 | 112293201/0 | Nut | |
| 58 | 2 | 112792611/0 | Screw | |
| 59 | 2 | 112293201/0 | Nut | |
| 60 | 1 | 125430276/0 | Spring | |
| 61 | 1 | 112735110/0 | Screw | |
| 83 | 4 | 112792611/0 | Screw | |



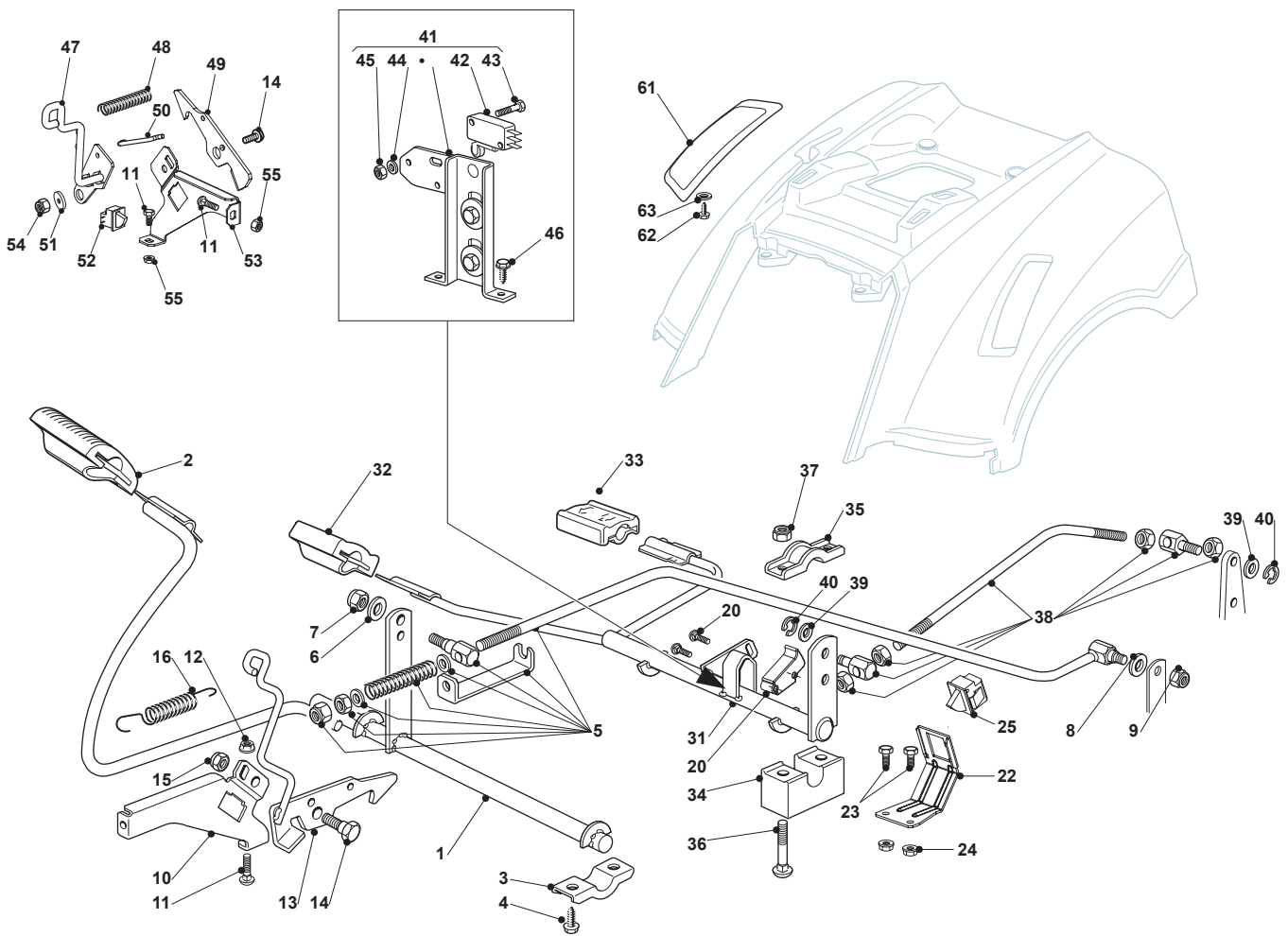
| Fig. | Quantity | Part No | Description | Notes |
|------|----------|-------------|-------------------------|-------|
| 84 | 4 | 112293201/0 | Nut | |
| 88 | 1 | 382510079/0 | Left Footboard Support | |
| 89 | 1 | 382510077/0 | Right Footboard Support | |
| 94 | 4 | 112815200/0 | Screw | |
| 95 | 4 | 112292102/0 | Nut | |



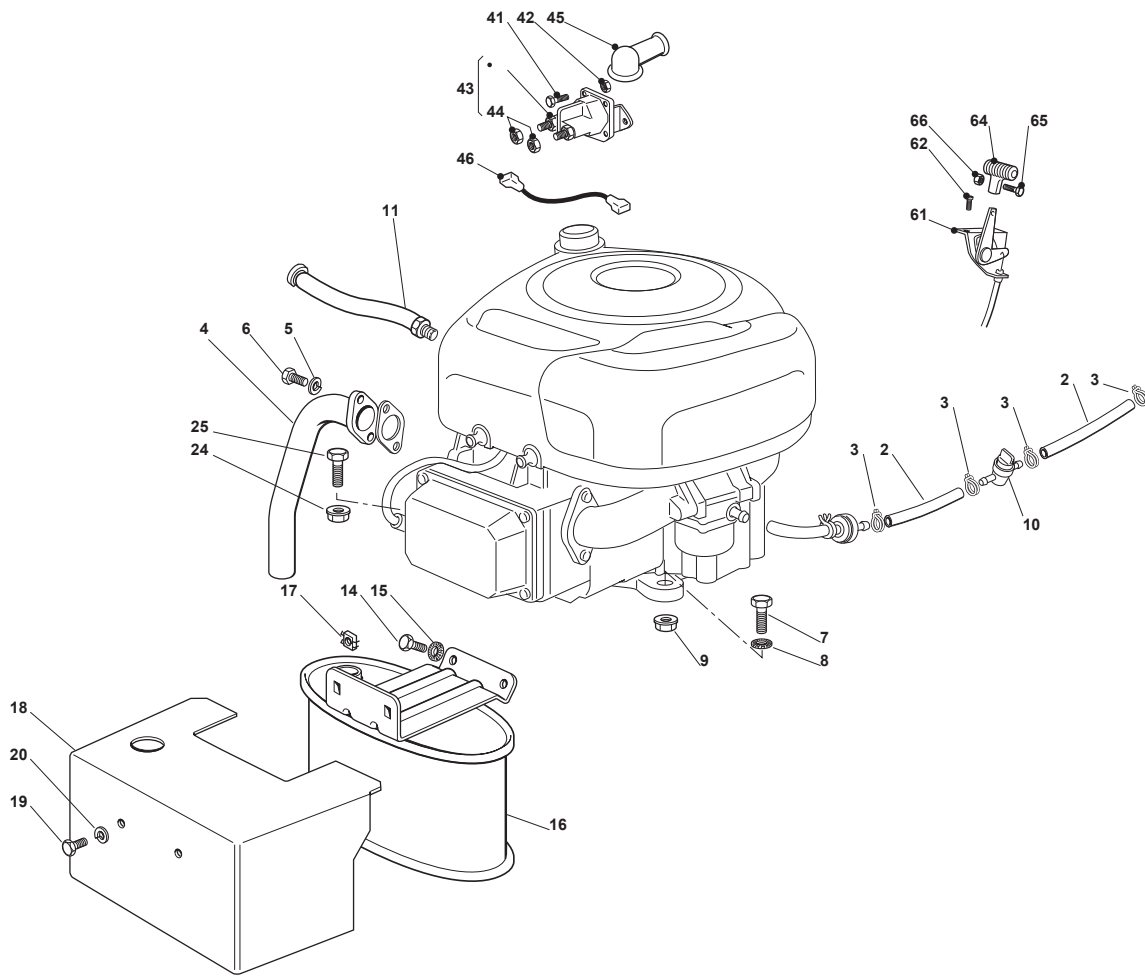
| Fig. | Quantity | Part No | Description | Notes |
|------|----------|-------------|-------------------------|-------|
| 1 | 1 | 382076962/0 | Engine Hood | White |
| 1 | 1 | 382076969/0 | Engine Hood, Black | Black |
| 2 | 1 | 325410899/0 | Right Grill | |
| 3 | 1 | 325410900/0 | Left Grill | |
| 4 | 7 | 112735404/0 | Screw | |
| 5 | 7 | 325108052/0 | Conveyor | |
| 15 | 1 | 325774301/2 | Engine Hood Support | |
| 16 | 5 | 112735403/0 | Screw | |
| 17 | 2 | 125510079/1 | Pin | |
| 18 | 2 | 112293201/0 | Nut | |
| 19 | 2 | 124487998/0 | Cotter Pin | |
| 19 | 1 | 325605003/0 | Button | |
| 20 | 1 | 325256250/0 | Screw Ring | |
| 24 | 2 | 325547109/2 | Plate | |
| 25 | 4 | 112731580/0 | Screw | |
| 26 | 1 | 382869041/0 | Muffler Protection | |
| 28 | 4 | 112734995/0 | Screw | |
| 31 | 1 | 325599014/0 | Right Dashboard Support | |
| 32 | 1 | 325599015/0 | Left Dashboard Support | |
| 33 | 4 | 112815221/0 | Screw | |
| 34 | 4 | 112521330/0 | Washer | |
| 35 | 4 | 112154510/0 | Nut | |
| 36 | 1 | 325120245/0 | Dashboard | |
| 37 | 2 | 112728440/0 | Screw | |
| 38 | 2 | 112735402/0 | Screw | |
| 39 | 2 | 125260000/0 | Grommet | |
| 40 | 1 | 325600074/0 | Card Protection | |
| 41 | 2 | 112735402/0 | Screw | |
| 91 | 1 | 325110420/0 | Central Cover, White | White |
| 91 | 1 | 325110393/0 | Central Cover, Black | Black |
| 93 | 2 | 125580020/0 | Belt Guide Peg | |
| 94 | 1 | 325110419/0 | White Wheels Cover | White |
| 94 | 1 | 325110392/0 | Black Wheels Cover | Black |
| 95 | 4 | 112735402/0 | Screw | |
| 96 | 2 | 112735402/0 | Screw | |
| 97 | 2 | 325755041/0 | Bracket | |
| 98 | 4 | 112728686/0 | Screw | |
| 99 | 2 | 112735110/0 | Screw | |



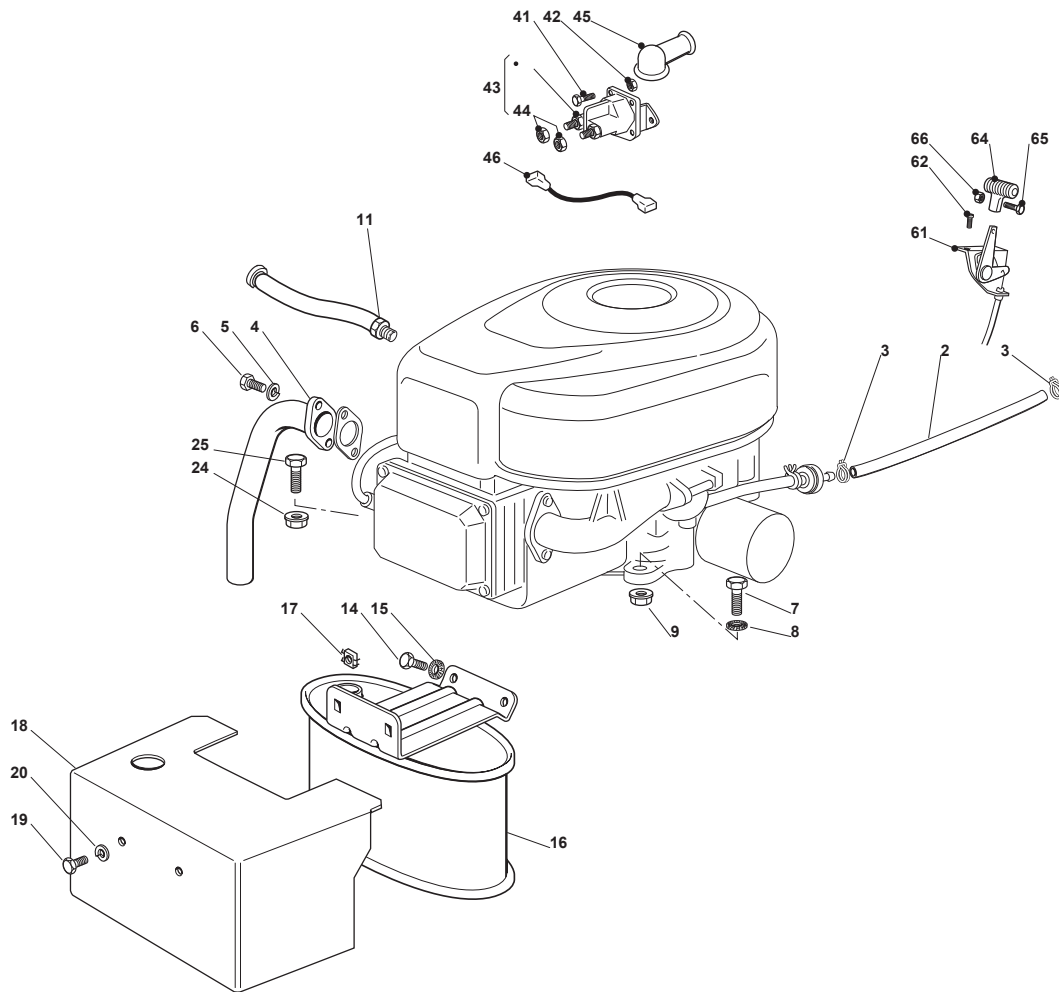
| Fig. | Quantity | Part No | Description | Notes |
|------|----------|-------------|------------------------------------|-------|
| 1 | 1 | 325038004/0 | Bushing | |
| 2 | 1 | 125520006/1 | Steering Column | |
| 3 | 1 | 127570050/0 | Pinion | |
| 4 | 1 | 112622650/0 | Dowel pin | |
| 5 | 1 | 325743000/0 | Joint | |
| 6 | 1 | 112521370/0 | Washer | |
| 7 | 1 | 112436030/0 | Plate | |
| 8 | 1 | 325785213/1 | Support | |
| 9 | 2 | 112729601/1 | Screw | |
| 12 | 1 | 112379511/0 | Grease Dispenser | |
| 13 | 2 | 325040624/0 | Bushing | |
| 15 | 1 | 125510132/0 | Pin | |
| 16 | 1 | 325318281/0 | Lever | |
| 17 | 1 | 125670019/0 | Washer | |
| 18 | 1 | 325735513/0 | Steering Sector | |
| 19 | 1 | 112523080/0 | Washer | |
| 20 | 1 | 112155020/0 | Nut | |
| 22 | 1 | 112523080/0 | Washer | |
| 23 | 1 | 112794950/0 | Screw | |
| 29 | 1 | 382000610/0 | Steering Rod | |
| 30 | 2 | 112523070/0 | Washer | |
| 31 | 2 | 112155010/0 | Nut | |
| 41 | 1 | 382034036/0 | Equalizer With Bush And Lubricator | |
| 42 | 4 | 125034002/1 | Bushing | |
| 43 | 2 | 112379511/0 | Grease Dispenser | |
| 44 | 1 | 125160016/1 | Spacer | |
| 45 | 1 | 112692695/0 | Screw | |
| 46 | 2 | 112523100/0 | Washer | |
| 47 | 1 | 112587100/0 | Grower | |
| 48 | 1 | 112295300/0 | Nut | |
| 49 | 1 | 382230377/1 | Right Stub Axle | |
| 50 | 1 | 382230379/1 | Left Stub Axle | |
| 51 | 2 | 112001000/0 | Benzing Ring | |
| 52 | 1 | 325743000/0 | Joint | |
| 53 | 1 | 325785213/1 | Support | |
| 54 | 2 | 112791213/1 | Screw | |
| 55 | 2 | 112521330/0 | Washer | |
| 56 | 2 | 112154510/0 | Nut | |
| 57 | 1 | 125840023/0 | Tie Rod | |
| 58 | 2 | 122746609/0 | Joint | |
| 59 | 2 | 112156602/0 | Nut | |
| 60 | 2 | 112295201/0 | Nut | |



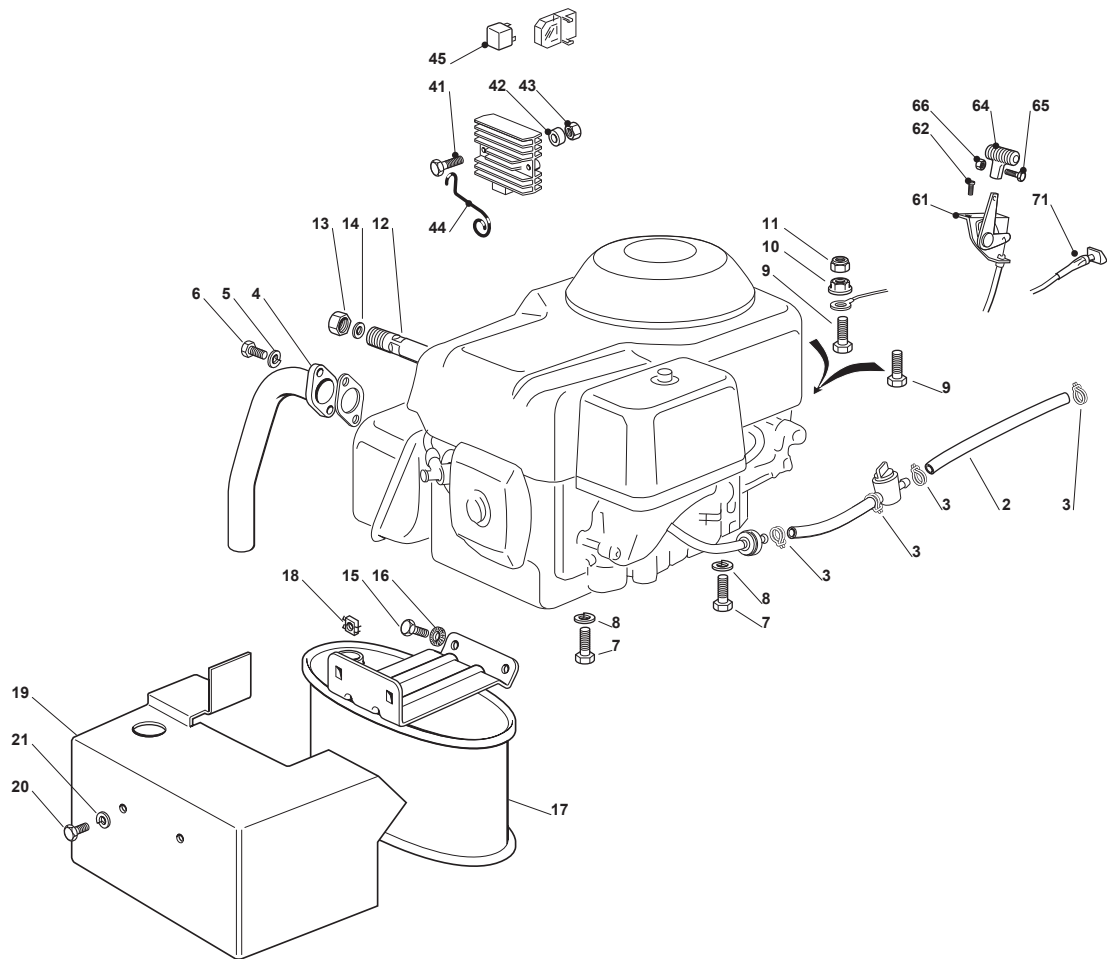
| Fig. | Quantity | Part No | Description | Notes |
|------|----------|-------------|-------------------|-------|
| 13 | 1 | 382318289/0 | Brake Lever I Rod | |
| 1 | 1 | 382500037/1 | Pedal | |
| 2 | 1 | 325110416/0 | Clamp Cover | |
| 3 | 2 | 325547037/1 | Plate | |
| 4 | 4 | 112735599/0 | Screw | |
| 5 | 1 | 382000577/0 | Rod | |
| 6 | 1 | 112521350/0 | Washer | |
| 7 | 1 | 112155000/0 | Nut | |
| 8 | 1 | 112521350/0 | Washer | |
| 9 | 1 | 112155000/0 | Nut | |
| 10 | 1 | 325785261/0 | Support | |
| 11 | 2 | 112815200/0 | Screw | |
| 12 | 2 | 112292102/0 | Nut | |
| 14 | 1 | 122524970/3 | Pin | |
| 15 | 1 | 112155000/0 | Nut | |
| 16 | 1 | 125430213/0 | Spring | |
| 20 | 1 | 325060034/1 | Cam | |
| 21 | 2 | 112735404/0 | Screw | |
| 22 | 1 | 325547375/0 | Plate | |
| 23 | 2 | 112793102/0 | Screw | |
| 24 | 2 | 112293201/0 | Nut | |
| 25 | 1 | 119410614/0 | Microswitch | |
| 31 | 1 | 382000605/1 | Drive Pedal | |
| 32 | 1 | 325110417/0 | Clamp Cover Front | |
| 33 | 1 | 325110418/0 | Clamp Cover Rear | |
| 34 | 2 | 325785185/0 | Support | |
| 35 | 2 | 325547037/1 | Plate | |
| 36 | 4 | 112815245/0 | Screw | |
| 37 | 4 | 112154510/0 | Nut | |
| 38 | 1 | 382000609/0 | Rod | |
| 39 | 2 | 112523040/0 | Washer | |
| 40 | 2 | 112000940/0 | Benzing Ring | |
| 41 | 1 | 382394853/0 | Switch Ass.Y | |
| 42 | 1 | 119410609/0 | Microswitch | |
| 43 | 2 | 112735602/0 | Screw | |
| 44 | 2 | 112581100/0 | Grower | |
| 45 | 2 | 112290791/0 | Nut | |
| 46 | 2 | 112735110/0 | Screw | |
| 47 | 1 | 382318289/0 | Brake Lever I Rod | |
| 48 | 1 | 125430213/0 | Spring | |
| 49 | 1 | 325253007/1 | Brake Hook | |
| 50 | 1 | 125033119/0 | Rod | |
| 51 | 1 | 122041980/0 | Bushing | |
| 52 | 1 | 119410613/0 | Microswitch | |
| 53 | 1 | 325785261/0 | Support | |
| 54 | 1 | 112155010/0 | Nut | |
| 55 | 4 | 112292102/0 | Nut | |
| 61 | 1 | 325207171/0 | Cover (Hydro) | |
| 62 | 2 | 112735402/0 | Screw | |
| 63 | 4 | 112523050/0 | Washer | |



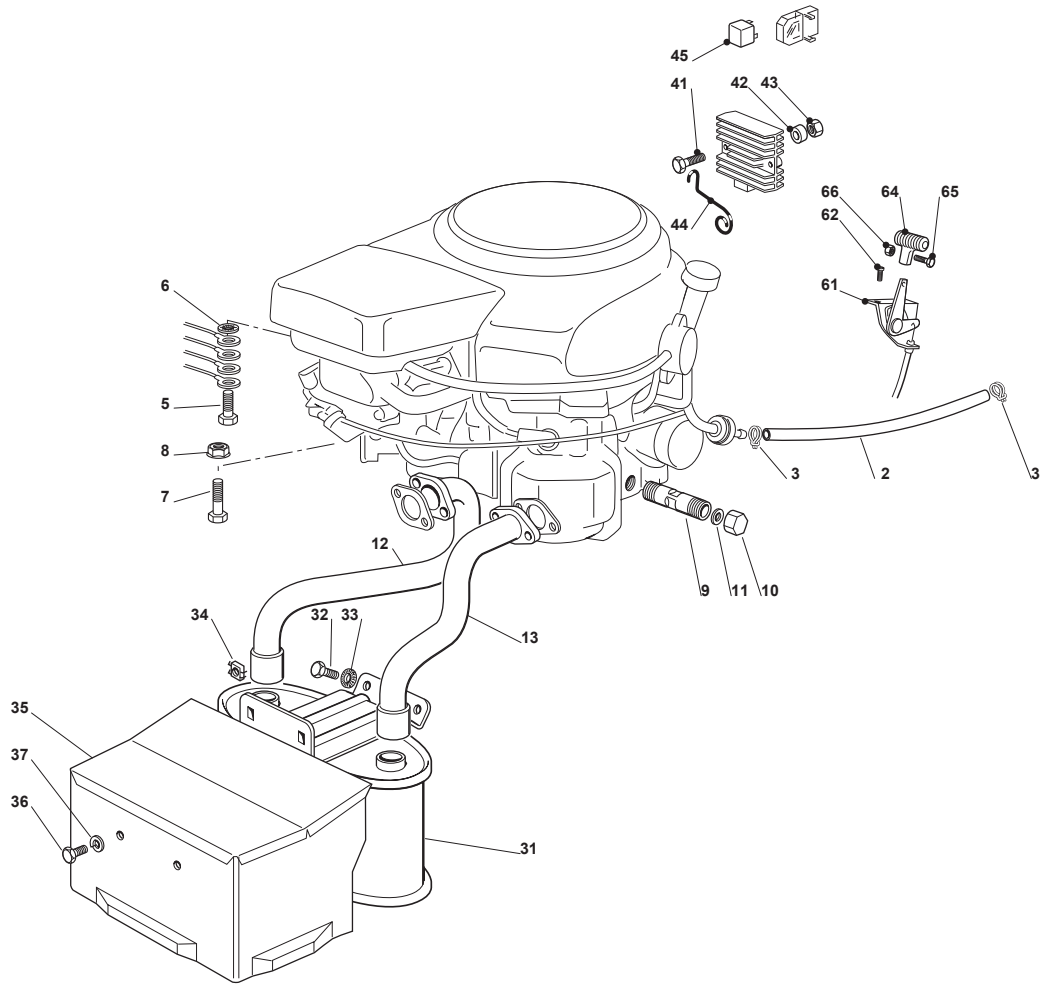
| Fig. | Quantity | Part No | Description | Notes |
|------|----------|--------------|--------------------|-------|
| 2 | 1 | 325869057/0 | Connecting Tube | |
| 3 | 4 | 118375051/1 | Fair Led | |
| 4 | 1 | 118738224/0 | Exhaust Conn. Tube | |
| 5 | 2 | 112583500/0 | Grower | |
| 6 | 2 | 112735530/0 | Screw | |
| 7 | 1 | 112691115/0 | Screw | |
| 8 | 1 | 112540260/0 | Grower | |
| 9 | 1 | 112154210/0 | Nut | |
| 10 | 1 | 118562996/0 | Shut out valve | |
| 11 | 1 | 1134-5827-01 | Oil Drain Assy | |
| 14 | 2 | 112793102/0 | Screw | |
| 15 | 2 | 112540260/0 | Grower | |
| 16 | 1 | 182750010/0 | Muffler | |
| 17 | 2 | 112360425/0 | Nut | |
| 18 | 1 | 382598009/2 | Muffler Protection | |
| 19 | 2 | 112792611/0 | Screw | |
| 20 | 2 | 112583500/0 | Grower | |
| 24 | 3 | 112154210/0 | Nut | |
| 25 | 3 | 112691100/0 | Screw | |
| 41 | 2 | 112791213/1 | Screw | |
| 42 | 2 | 112292102/0 | Nut | |
| 43 | 1 | 118736110/0 | Starter Relay | |
| 44 | 2 | 112360352/0 | Nut | |
| 45 | 1 | 118564861/1 | Protection | |
| 46 | 1 | 125065017/0 | Cable | |
| 61 | 1 | 182000200/1 | Throttle Cable | |
| 62 | 2 | 125943012/0 | Screw | |
| 64 | 1 | 325592000/0 | Knob | |
| 65 | 1 | 112726388/0 | Screw | |
| 66 | 1 | 112290800/0 | Nut | |



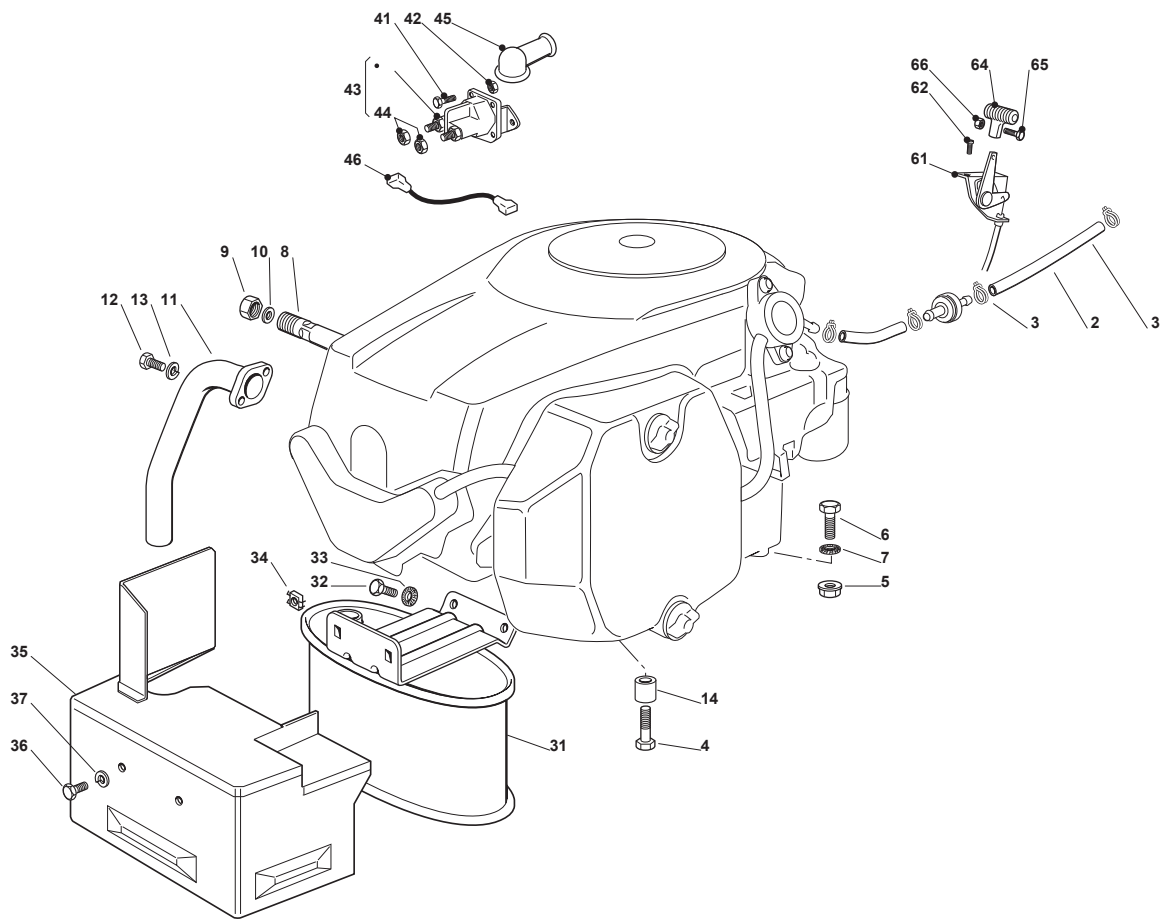
| Fig. | Quantity | Part No | Description | Notes |
|------|----------|--------------|------------------------|-------|
| 2 | 1 | 325869057/0 | Connecting Tube | |
| 3 | 2 | 118375051/1 | Fair Led | |
| 4 | 1 | 118738206/0 | Exhaust Discharge Tube | |
| 5 | 2 | 112583500/0 | Grower | |
| 6 | 2 | 112735530/0 | Screw | |
| 7 | 1 | 112691115/0 | Screw | |
| 8 | 1 | 112540260/0 | Grower | |
| 9 | 1 | 112154210/0 | Nut | |
| 11 | 1 | 1134-5827-01 | Oil Drain Assy | |
| 14 | 2 | 112793102/0 | Screw | |
| 15 | 2 | 112540260/0 | Grower | |
| 16 | 1 | 182750010/0 | Muffler | |
| 17 | 2 | 112360425/0 | Nut | |
| 18 | 1 | 382598009/2 | Muffler Protection | |
| 19 | 2 | 112792611/0 | Screw | |
| 20 | 2 | 112583500/0 | Grower | |
| 24 | 3 | 112154210/0 | Nut | |
| 25 | 3 | 112691100/0 | Screw | |
| 41 | 2 | 112791213/1 | Screw | |
| 42 | 2 | 112292102/0 | Nut | |
| 43 | 1 | 118736110/0 | Starter Relay | |
| 44 | 2 | 112360352/0 | Nut | |
| 45 | 1 | 118564861/1 | Protection | |
| 46 | 1 | 125065017/0 | Cable | |
| 61 | 1 | 182000200/1 | Throttle Cable | |
| 62 | 2 | 125943012/0 | Screw | |
| 64 | 1 | 325592000/0 | Knob | |
| 65 | 1 | 112726388/0 | Screw | |
| 66 | 1 | 112290800/0 | Nut | |



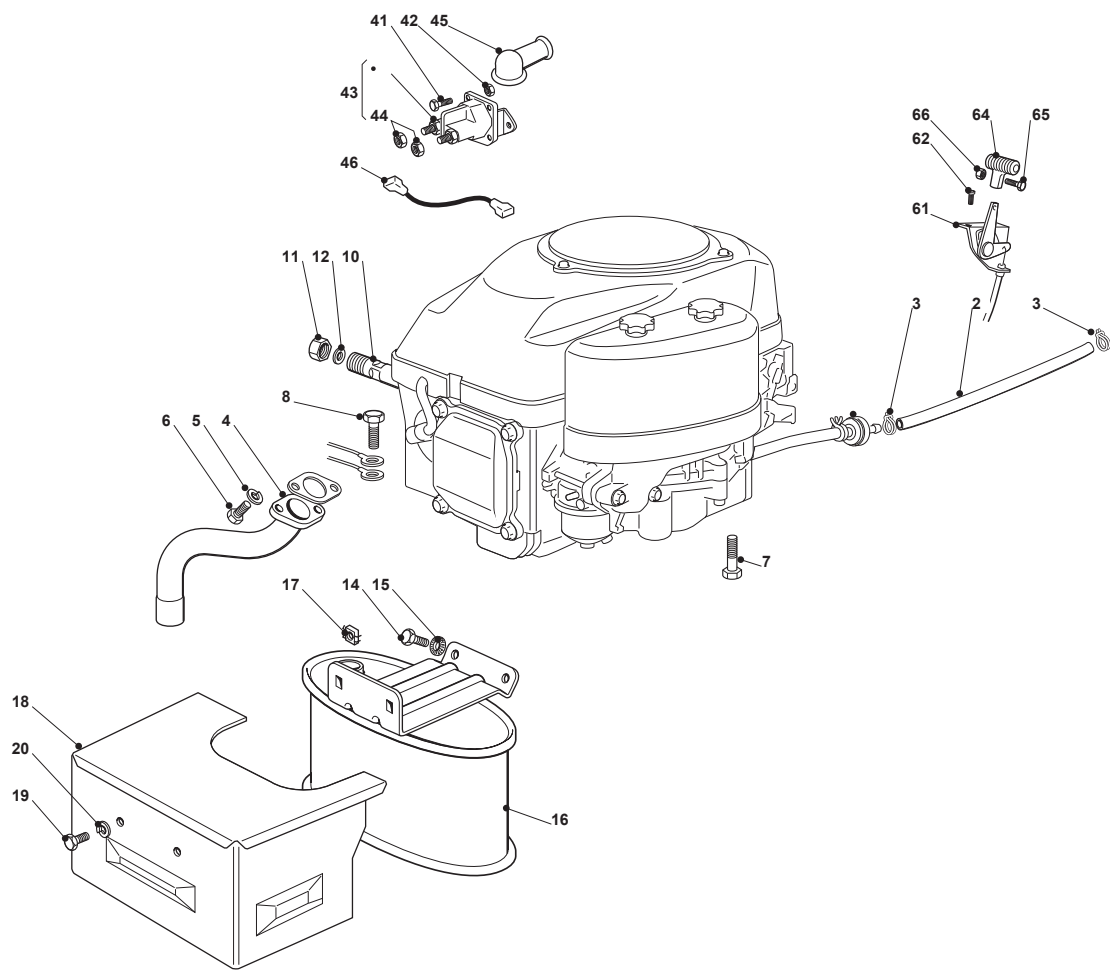
| Fig. | Quantity | Part No | Description | Notes |
|------|----------|-------------|-------------------------|-------|
| 2 | 1 | 325869057/0 | Connecting Tube | |
| 3 | 4 | 118375051/1 | Fair Led | |
| 4 | 1 | 118738204/0 | Exhaust Discharge Tube | |
| 5 | 2 | 112583500/0 | Grower | |
| 6 | 2 | 112793102/0 | Screw | |
| 7 | 2 | 112735802/0 | Screw | |
| 8 | 2 | 112583500/0 | Grower | |
| 9 | 2 | 112691100/0 | Screw | |
| 10 | 2 | 112154210/0 | Nut | |
| 11 | 1 | 112155000/0 | Nut | |
| 12 | 1 | 127598061/1 | Oil Discharge Extension | |
| 13 | 1 | 118737849/0 | Plug | |
| 14 | 1 | 118401001/1 | Oil Seal | |
| 15 | 2 | 112792611/0 | Screw | |
| 16 | 2 | 112540260/0 | Grower | |
| 17 | 1 | 182750010/0 | Muffler | |
| 18 | 2 | 112360425/0 | Nut | |
| 19 | 1 | 382598003/1 | Muffler Protection | |
| 20 | 2 | 125943012/0 | Screw | |
| 21 | 2 | 112583500/0 | Grower | |
| 41 | 2 | 112815221/0 | Screw | |
| 42 | 2 | 122170950/0 | Spacer | |
| 43 | 2 | 112292102/0 | Nut | |
| 44 | 1 | 127430561/0 | Spring | |
| 45 | 1 | 133567000/0 | Relay | |
| 61 | 1 | 182000200/1 | Throttle Cable | |
| 62 | 2 | 112788512/0 | Screw | |
| 64 | 1 | 125394501/0 | Knob | |
| 65 | 1 | 112726388/0 | Screw | |
| 66 | 1 | 112290800/0 | Nut | |
| 71 | 1 | 125090007/0 | Choke Control | |



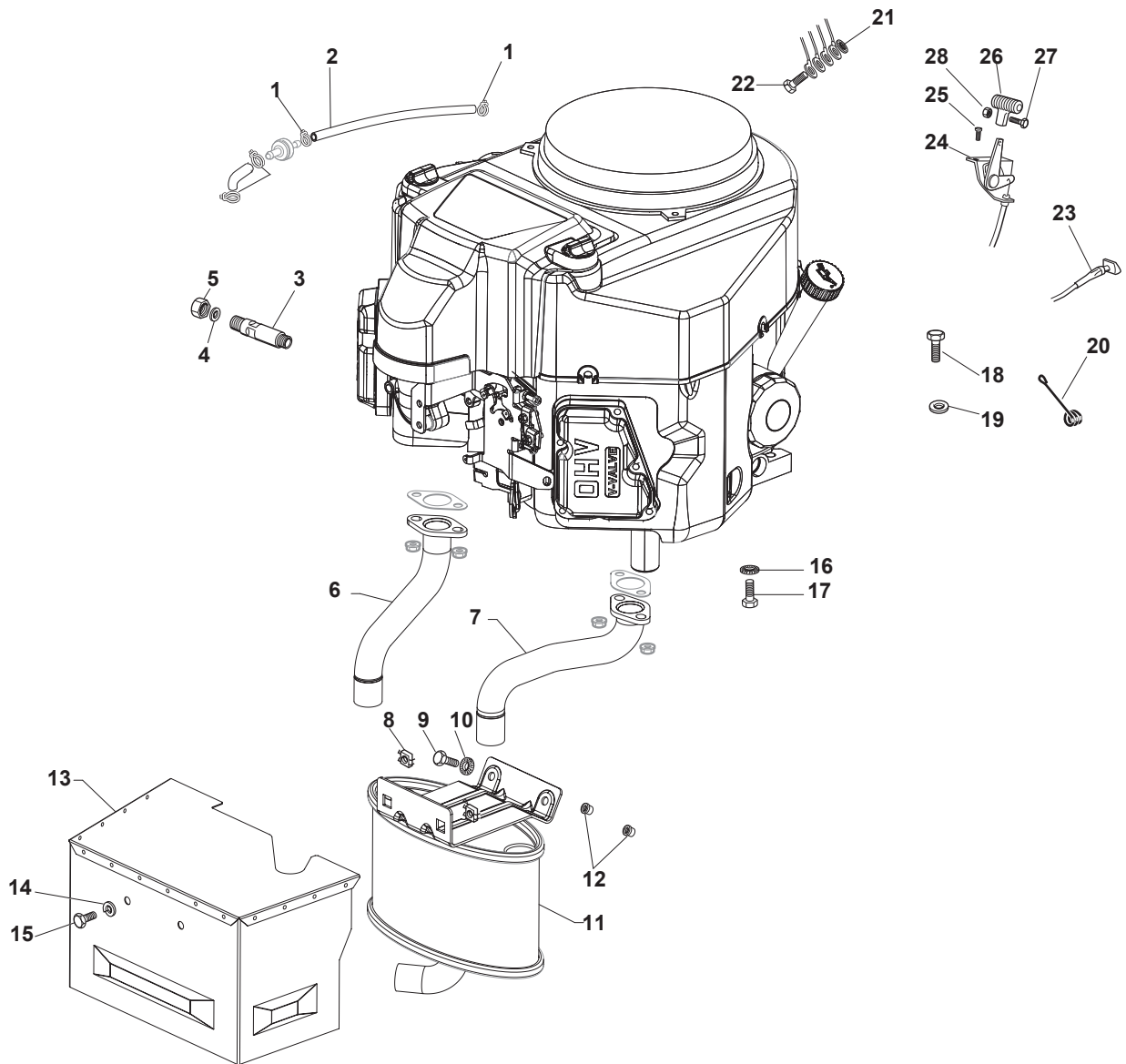
| Fig. | Quantity | Part No | Description | Notes |
|------|----------|-------------|--------------------------|-------|
| 2 | 1 | 325869057/0 | Connecting Tube | |
| 3 | 2 | 118375051/1 | Fair Led | |
| 5 | 1 | 112735599/0 | Screw | |
| 6 | 1 | 112540260/0 | Grower | |
| 7 | 4 | 112691115/0 | Screw | |
| 8 | 4 | 112154210/0 | Nut | |
| 10 | 1 | 118737849/0 | Plug | |
| 11 | 1 | 118401001/1 | Oil Seal | |
| 12 | 1 | 118738221/0 | Exhaust Tube Right | |
| 13 | 1 | 118738222/0 | Right Exhaust Connection | |
| 31 | 1 | 182750003/0 | Muffler Assy | |
| 32 | 2 | 112793102/0 | Screw | |
| 33 | 2 | 112540260/0 | Grower | |
| 34 | 2 | 112360425/0 | Nut | |
| 35 | 1 | 382598005/2 | Muffler Protection | |
| 36 | 2 | 112792611/0 | Screw | |
| 37 | 2 | 112583500/0 | Grower | |
| 41 | 2 | 112815221/0 | Screw | |
| 42 | 2 | 122170950/0 | Spacer | |
| 43 | 2 | 112292102/0 | Nut | |
| 44 | 1 | 127430561/0 | Spring | |
| 45 | 1 | 133567000/0 | Relay | |
| 61 | 1 | 182000200/1 | Throttle Cable | |
| 62 | 2 | 125943012/0 | Screw | |
| 64 | 1 | 125394501/0 | Knob | |
| 65 | 1 | 112726388/0 | Screw | |
| 66 | 1 | 112290800/0 | Nut | |



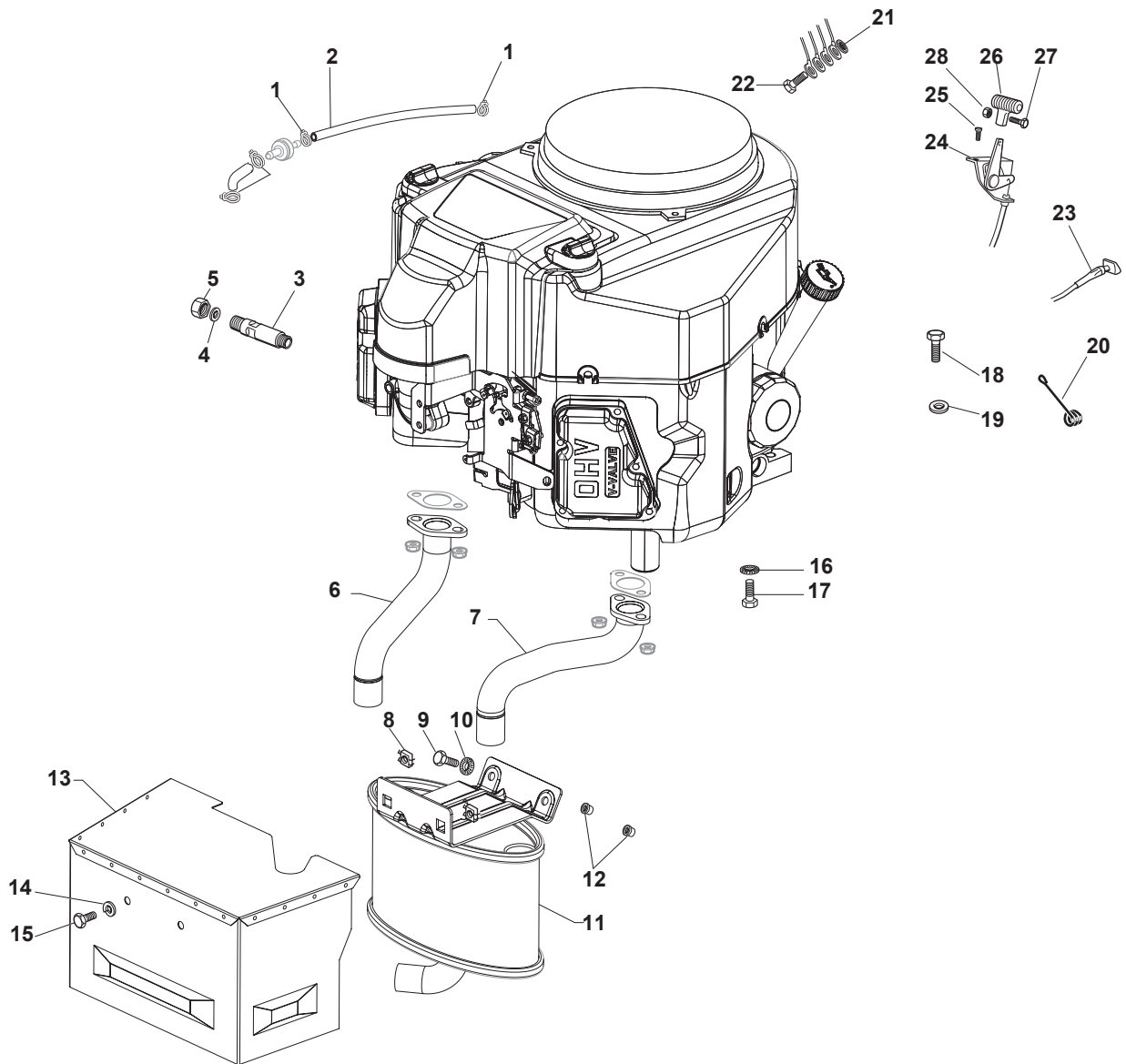
| Fig. | Quantity | Part No | Description | Notes |
|------|----------|-------------|---------------------------|-------|
| 2 | 1 | 325869057/0 | Connecting Tube | |
| 3 | 2 | 118375051/1 | Fair Led | |
| 4 | 3 | 112735108/1 | Screw | |
| 5 | 1 | 112154210/0 | Nut | |
| 6 | 1 | 112691115/0 | Screw | |
| 7 | 1 | 112540260/0 | Grower | |
| 8 | 1 | 127598060/0 | Oil Discharge Extension | |
| 9 | 1 | 118737849/0 | Plug | |
| 10 | 1 | 118401001/1 | Oil Seal | |
| 11 | 1 | 118738227/0 | Exhaust Pipe Kohler 16-18 | |
| 12 | 2 | 112735530/0 | Screw | |
| 13 | 2 | 112583500/0 | Grower | |
| 14 | 3 | 125160035/0 | Spacer | |
| 31 | 1 | 182750010/0 | Muffler | |
| 32 | 2 | 112793102/0 | Screw | |
| 33 | 2 | 112540260/0 | Grower | |
| 34 | 2 | 112360425/0 | Nut | |
| 35 | 1 | 382598029/0 | Muffler Protection | |
| 36 | 2 | 112792611/0 | Screw | |
| 37 | 2 | 112583500/0 | Grower | |
| 41 | 2 | 112791213/1 | Screw | |
| 42 | 2 | 112292102/0 | Nut | |
| 43 | 1 | 118736110/0 | Starter Relay | |
| 44 | 2 | 112360352/0 | Nut | |
| 45 | 1 | 118564864/1 | Protection | |
| 46 | 1 | 125065017/0 | Cable | |
| 61 | 1 | 182000200/1 | Throttle Cable | |
| 62 | 2 | 125943012/0 | Screw | |
| 64 | 1 | 125394501/0 | Knob | |
| 65 | 1 | 112726388/0 | Screw | |
| 66 | 1 | 112290800/0 | Nut | |



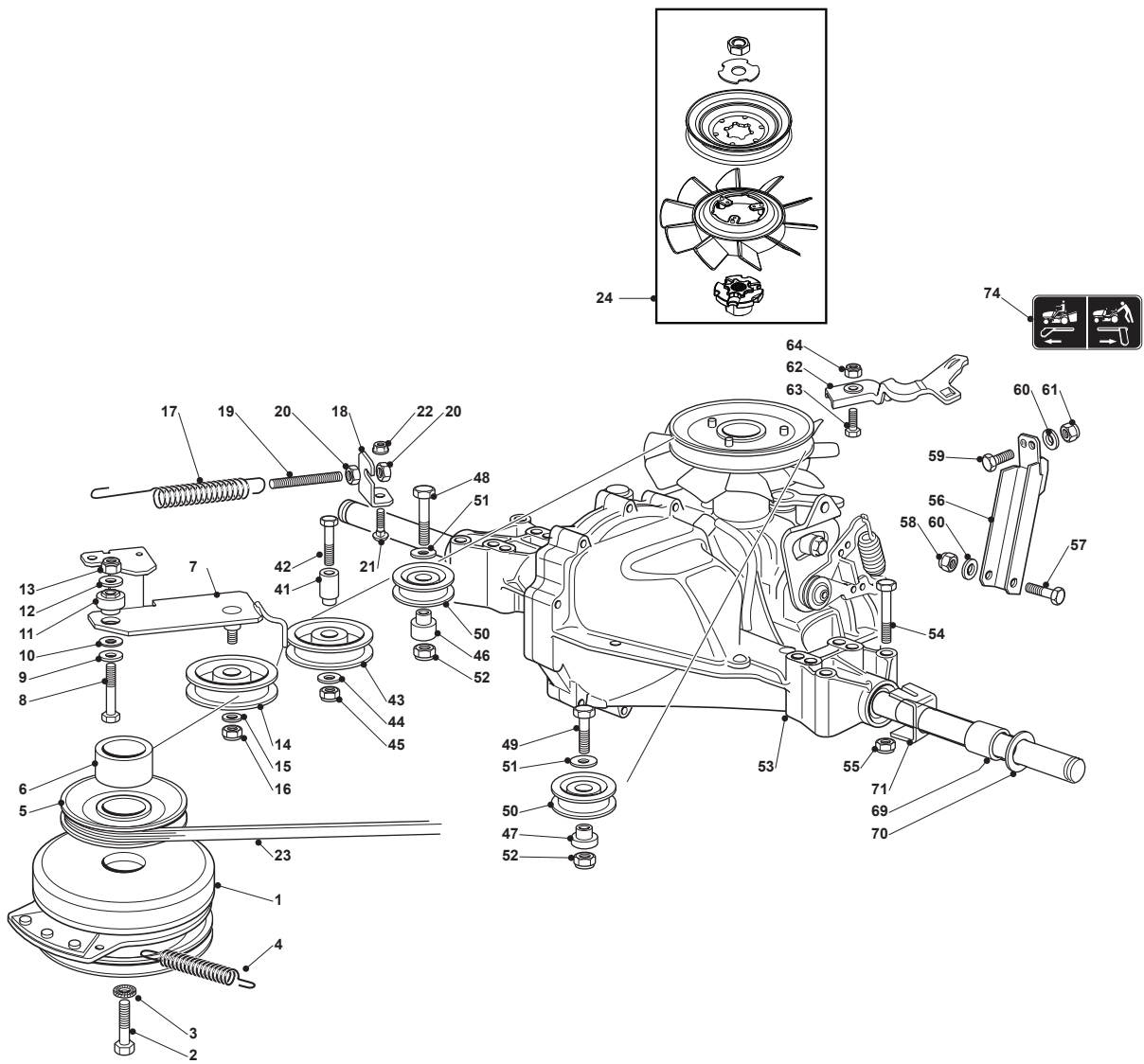
| Fig. | Quantity | Part No | Description | Notes |
|------|----------|-------------|-------------------------|-------|
| 2 | 1 | 325869057/0 | Connecting Tube | |
| 3 | 4 | 118375051/1 | Fair Led | |
| 4 | 1 | 118738231/1 | Exhaust Tube | |
| 5 | 2 | 112583500/0 | Grower | |
| 6 | 2 | 112737450/0 | Screw | |
| 7 | 4 | 112735108/1 | Screw | |
| 8 | 1 | 112735599/0 | Screw | |
| 10 | 1 | 127598060/0 | Oil Discharge Extension | |
| 11 | 1 | 118737849/0 | Plug | |
| 12 | 1 | 118401001/1 | Oil Seal | |
| 14 | 2 | 112793102/0 | Screw | |
| 15 | 2 | 112540260/0 | Grower | |
| 16 | 1 | 182750010/0 | Muffler | |
| 17 | 2 | 112360425/0 | Nut | |
| 18 | 1 | 382598039/0 | Guard | |
| 19 | 2 | 112792611/0 | Screw | |
| 20 | 2 | 112583500/0 | Grower | |
| 41 | 2 | 112791213/1 | Screw | |
| 42 | 2 | 112292102/0 | Nut | |
| 43 | 1 | 118736110/0 | Starter Relay | |
| 44 | 2 | 112360352/0 | Nut | |
| 45 | 1 | 118564864/1 | Protection | |
| 46 | 1 | 125065017/0 | Cable | |
| 61 | 1 | 182000212/0 | Accelerator | |
| 62 | 2 | 125943012/0 | Screw | |
| 64 | 1 | 125394501/0 | Knob | |
| 65 | 1 | 112726388/0 | Screw | |
| 66 | 1 | 112290800/0 | Nut | |



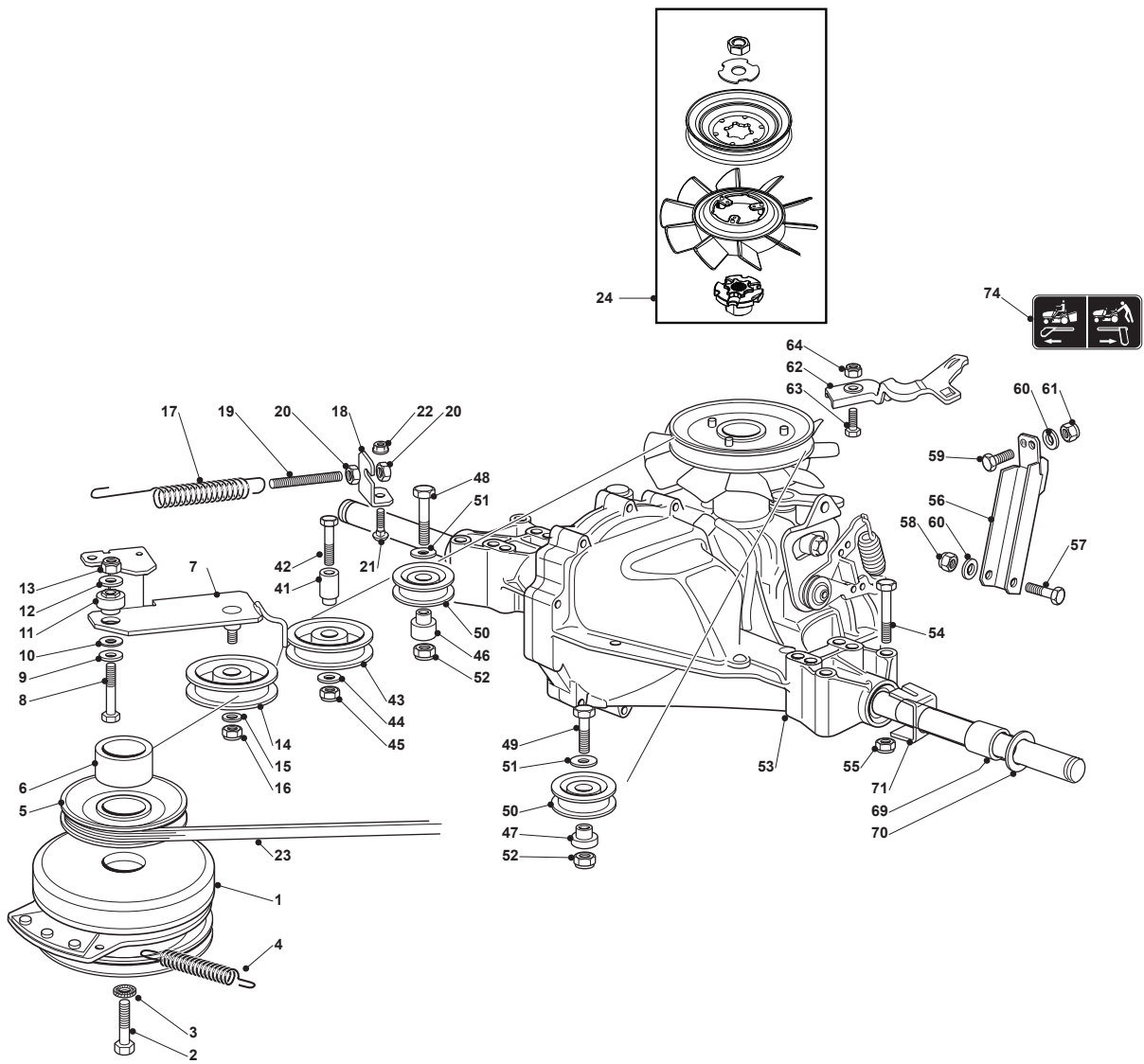
| Fig. | Quantity | Part No | Description | Notes |
|------|----------|-------------|--------------------------|-------|
| 1 | 2 | 118375051/1 | Fair Led | |
| 2 | 1 | 138780531/0 | Fuel Tube | |
| 3 | 1 | 125598050/0 | Oil Discharge Extension | |
| 4 | 1 | 118401001/1 | Oil Seal | |
| 5 | 1 | 118737849/0 | Plug | |
| 6 | 1 | 118738256/0 | Left Exhaust Connection | |
| 7 | 1 | 118738257/0 | Right Exhaust Connection | |
| 8 | 3 | 112360425/0 | Nut | |
| 9 | 3 | 112793102/0 | Screw | |
| 10 | 2 | 112540260/0 | Grower | |
| 11 | 1 | 182750014/0 | Muffler | |
| 12 | 2 | 112280100/0 | Nut | |
| 13 | 1 | 382598065/0 | Muffler Protection | |
| 14 | 2 | 112792611/0 | Screw | |
| 15 | 2 | 112583500/0 | Grower | |
| 16 | 4 | 112540070/0 | Washer | |
| 17 | 4 | 112735821/0 | Screw | |
| 18 | 1 | 112792611/0 | Screw | |
| 19 | 1 | 112521350/0 | Washer | |
| 20 | 1 | 125430252/0 | Spring | |
| 21 | 3 | 112540260/0 | Grower | |
| 22 | 3 | 112793102/0 | Screw | |
| 23 | 1 | 112540260/0 | Grower | |
| 24 | 1 | 182000201/2 | Accelerator | |
| 25 | 2 | 125943012/0 | Screw | |
| 26 | 1 | 325592000/0 | Knob | |
| 27 | 1 | 112726388/0 | Screw | |
| 28 | 1 | 112290800/0 | Nut | |



| Fig. | Quantity | Part No | Description | Notes |
|------|----------|-------------|--------------------------|-------|
| 1 | 2 | 118375051/1 | Fair Led | |
| 2 | 1 | 138780531/0 | Fuel Tube | |
| 3 | 1 | 125598060/0 | Oil Discharge Extension | |
| 4 | 1 | 118401001/1 | Oil Seal | |
| 5 | 1 | 118737849/0 | Plug | |
| 6 | 1 | 118738256/0 | Left Exhaust Connection | |
| 7 | 1 | 118738257/0 | Right Exhaust Connection | |
| 8 | 3 | 112360425/0 | Nut | |
| 9 | 3 | 112793102/0 | Screw | |
| 10 | 2 | 112540260/0 | Grower | |
| 11 | 1 | 182750003/0 | Muffler Assy | |
| 12 | 2 | 112280100/0 | Nut | |
| 13 | 1 | 382598065/0 | Muffler Protection | |
| 14 | 2 | 112792611/0 | Screw | |
| 15 | 2 | 112583500/0 | Grower | |
| 16 | 4 | 112540070/0 | Washer | |
| 17 | 4 | 112735821/0 | Screw | |
| 18 | 1 | 112792611/0 | Screw | |
| 19 | 1 | 112521350/0 | Washer | |
| 20 | 1 | 125430252/0 | Spring | |
| 21 | 3 | 112540260/0 | Grower | |
| 22 | 3 | 112793102/0 | Screw | |
| 23 | 1 | 112540260/0 | Grower | |
| 24 | 1 | 182000201/2 | Accelerator | |
| 25 | 2 | 125943012/0 | Screw | |
| 26 | 1 | 325592000/0 | Knob | |
| 27 | 1 | 112726388/0 | Screw | |
| 28 | 1 | 112290800/0 | Nut | |



| Fig. | Quantity | Part No | Description | Notes |
|------|----------|-------------|--|-------|
| 1 | 1 | 118399062/0 | Electromagnetic Clutch | |
| 2 | 1 | 112737320/0 | Screw | |
| 3 | 1 | 112543000/0 | Washer | |
| 4 | 1 | 122430216/1 | Spring | |
| 5 | 1 | 125601577/0 | Pulley | |
| 6 | 1 | 125160021/0 | Spacer | |
| 7 | 1 | 382318217/0 | Lever | |
| 8 | 1 | 112691115/0 | Screw | |
| 9 | 1 | 112523060/0 | Washer | |
| 10 | 1 | 327670055/0 | Antifriction Washer | |
| 11 | 1 | 125510087/0 | Pin | |
| 12 | 1 | 112523060/0 | Washer | |
| 13 | 1 | 112155000/0 | Nut | |
| 14 | 1 | 125601554/0 | Pulley | |
| 15 | 1 | 112523060/0 | Washer | |
| 16 | 1 | 112155000/0 | Nut | |
| 17 | 1 | 125430260/0 | Spring | |
| 18 | 1 | 325755049/0 | Bracket | |
| 19 | 1 | 125840005/0 | Tie Rod | |
| 20 | 2 | 112293200/0 | Nut | |
| 21 | 1 | 112818690/0 | Screw | |
| 22 | 1 | 112293201/0 | Nut | |
| 23 | 1 | 135062014/0 | Belt | |
| 24 | 1 | 118802723/0 | Fan Kit | |
| 41 | 1 | 125160081/0 | Pin | |
| 42 | 1 | 112691800/0 | Screw | |
| 43 | 1 | 325601599/0 | Pulley | |
| 44 | 1 | 112523060/0 | Washer | |
| 45 | 1 | 112155000/0 | Nut | |
| 46 | 1 | 125160024/2 | Right Spacer | |
| 47 | 1 | 125160018/1 | Left Spacer | |
| 48 | 1 | 112691400/0 | Screw | |
| 49 | 1 | 112691115/0 | Screw | |
| 50 | 2 | 125601588/0 | Pulley | |
| 51 | 2 | 122671653/0 | Washer | |
| 52 | 2 | 112155000/0 | Nut | |
| 53 | 1 | 118400919/2 | Rear Axle (Hydro-Gear T2-Adbf-2X3C-17X1) | |
| 54 | 4 | 112691600/0 | Screw | |
| 55 | 4 | 112154210/0 | Nut | |
| 56 | 1 | 382785201/0 | Support | |
| 57 | 1 | 112691700/0 | Screw | |
| 58 | 1 | 112155000/0 | Nut | |
| 59 | 1 | 112793701/0 | Screw | |
| 60 | 2 | 112523060/0 | Washer | |
| 61 | 1 | 112155000/0 | Nut | |
| 62 | 1 | 325318257/0 | Lever | |
| 63 | 1 | 112791213/1 | Screw | |
| 64 | 1 | 112154210/0 | Nut | |
| 69 | 2 | 125160058/0 | Spacer | |
| 70 | 2 | 125670005/1 | Washer | |
| 71 | 2 | 325670025/0 | Washer | |

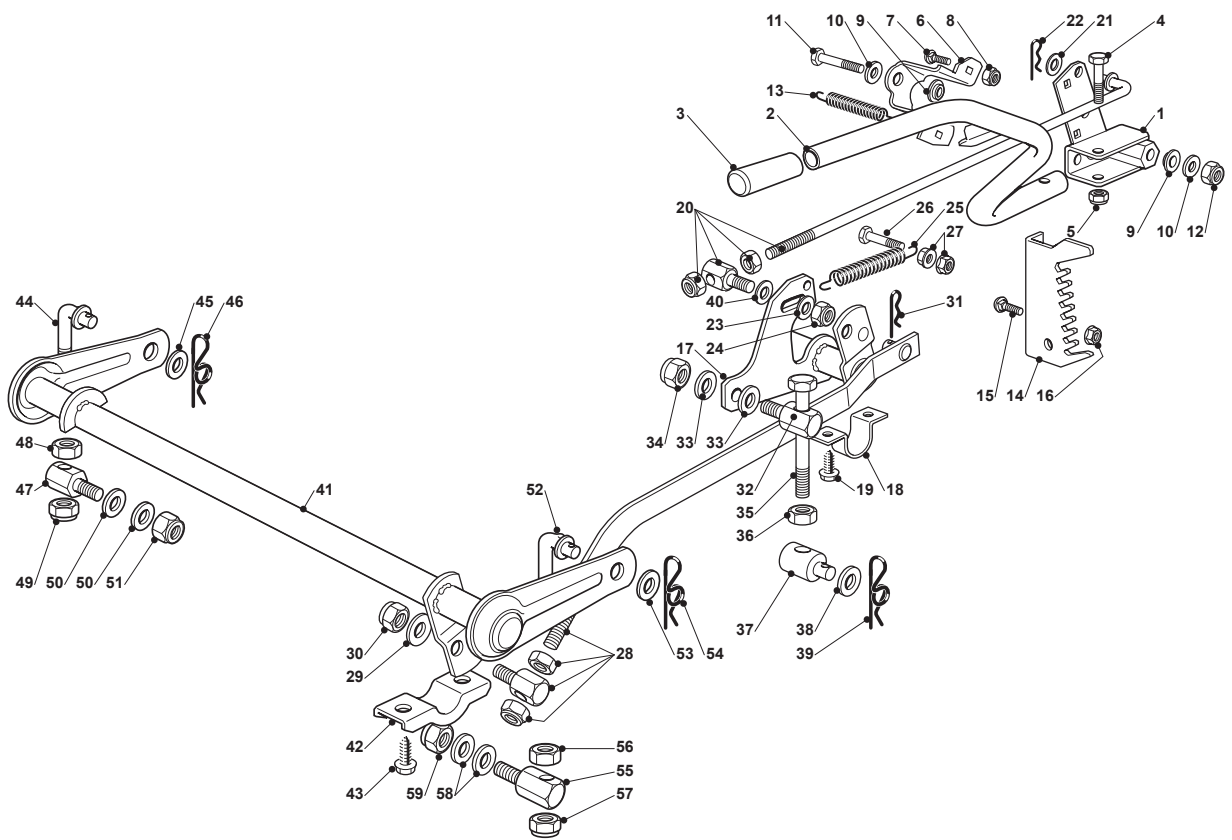


NJA 102 HYDRO

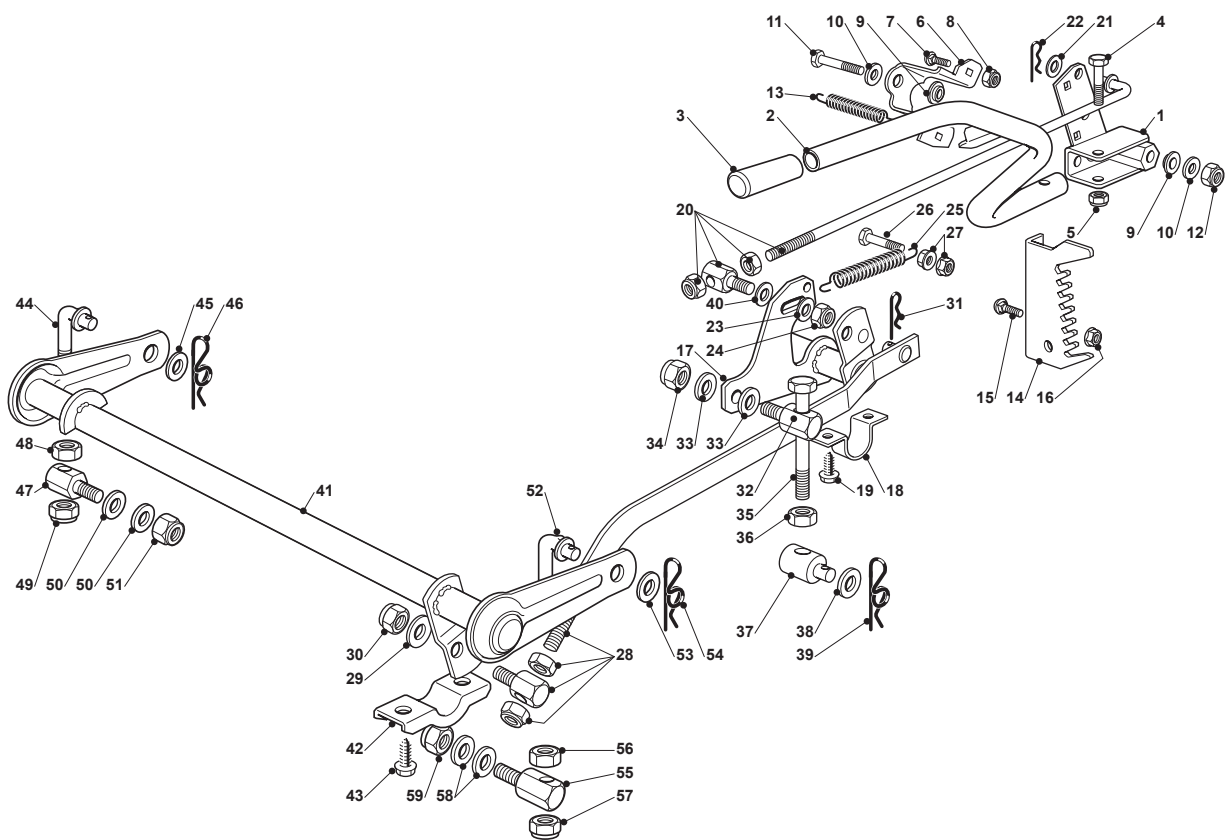
Ride-on 102-122 Transmission

Issue 10 - 2015

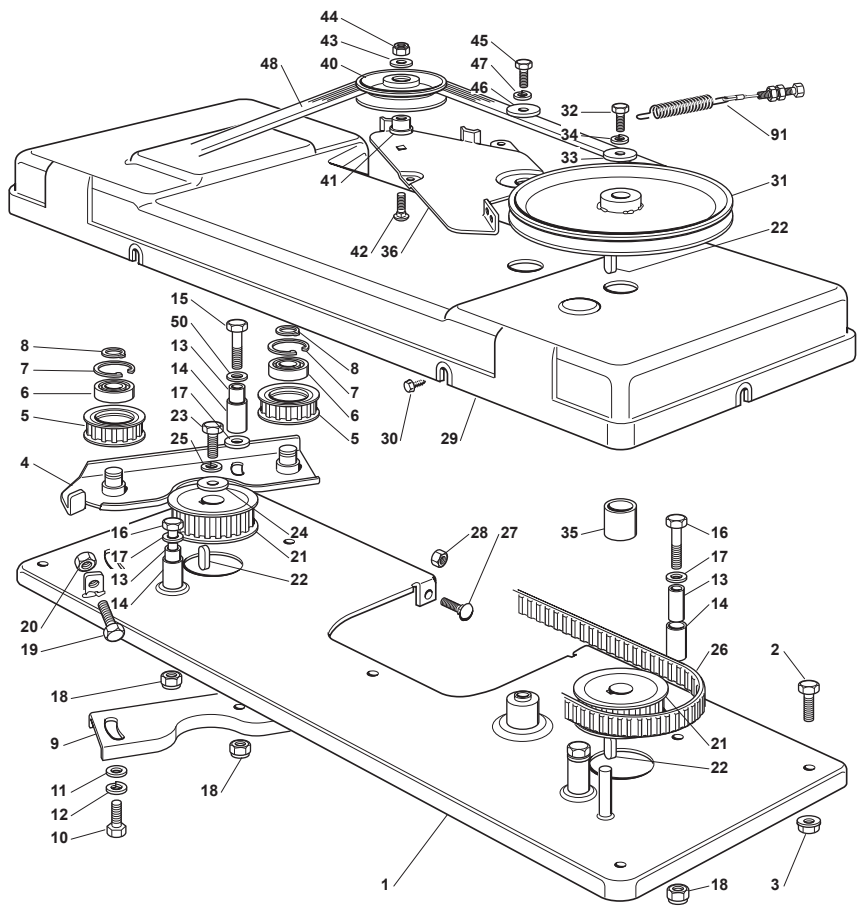
| Fig. | Quantity | Part No | Description | Notes |
|------|----------|-------------|-------------|-------|
| 74 | 1 | 114361451/0 | Label | |



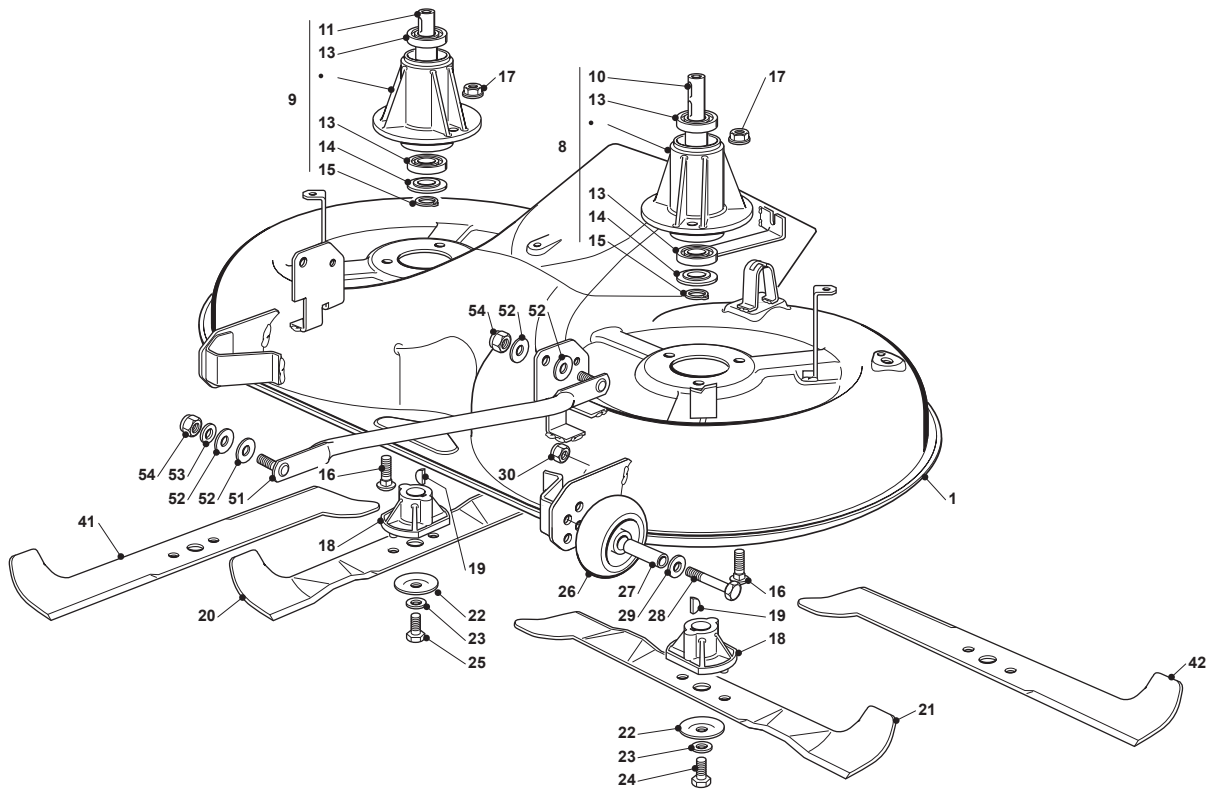
| Fig. | Quantity | Part No | Description | Notes |
|------|----------|-------------|---------------------|-------|
| 1 | 1 | 382774249/0 | Clamp | |
| 2 | 1 | 382318219/1 | Lever | |
| 3 | 1 | 125394508/0 | Knob | |
| 4 | 1 | 112674700/0 | Screw | |
| 5 | 1 | 112154510/0 | Nut | |
| 6 | 1 | 325650113/0 | Plate | |
| 7 | 2 | 112818690/0 | Screw | |
| 8 | 2 | 112155000/0 | Nut | |
| 9 | 2 | 122041980/0 | Bushing | |
| 10 | 2 | 112523060/0 | Washer | |
| 11 | 1 | 112691600/0 | Screw | |
| 12 | 1 | 112155000/0 | Nut | |
| 13 | 1 | 125430259/0 | Spring | |
| 14 | 1 | 325735511/0 | Sector | |
| 15 | 2 | 112818690/0 | Screw | |
| 16 | 2 | 112293201/0 | Nut | |
| 17 | 1 | 382000387/0 | Axle | |
| 18 | 2 | 325547041/1 | Plate | |
| 19 | 4 | 112731580/0 | Screw | |
| 20 | 1 | 382000618/0 | Rod | |
| 21 | 1 | 325670011/0 | Antifriction Washer | |
| 22 | 1 | 124487997/0 | Cotter Pin | |
| 23 | 1 | 112523040/0 | Washer | |
| 24 | 1 | 112154210/0 | Nut | |
| 25 | 1 | 122446402/0 | Spring | |
| 26 | 1 | 112792410/0 | Screw | |
| 27 | 2 | 112292102/0 | Nut | |
| 28 | 1 | 382000589/0 | Connecting Rod | |
| 29 | 2 | 325670008/1 | Washer | |
| 30 | 1 | 112156602/0 | Nut | |
| 31 | 1 | 124487998/0 | Cotter Pin | |
| 32 | 1 | 125510070/0 | Pin | |
| 33 | 2 | 325670008/1 | Washer | |
| 34 | 1 | 112156602/0 | Nut | |
| 35 | 2 | 125840031/0 | Tie Rod | |
| 36 | 2 | 112295200/0 | Nut | |
| 37 | 2 | 125510070/0 | Pin | |
| 38 | 2 | 112523090/0 | Washer | |
| 39 | 2 | 124487998/0 | Cotter Pin | |
| 40 | 2 | 112521360/0 | Washer | |
| 41 | 1 | 382000587/0 | Axle | |
| 42 | 2 | 327546015/2 | Plate | |
| 43 | 4 | 112731350/0 | Screw | |
| 44 | 1 | 125840024/0 | Tie Rod | |
| 45 | 1 | 325670008/1 | Washer | |
| 46 | 1 | 124487998/0 | Cotter Pin | |
| 47 | 1 | 125510098/0 | Pin | |
| 48 | 1 | 112295200/0 | Nut | |
| 49 | 1 | 112156602/0 | Nut | |
| 50 | 2 | 325670008/1 | Washer | |
| 51 | 1 | 112156602/0 | Nut | |



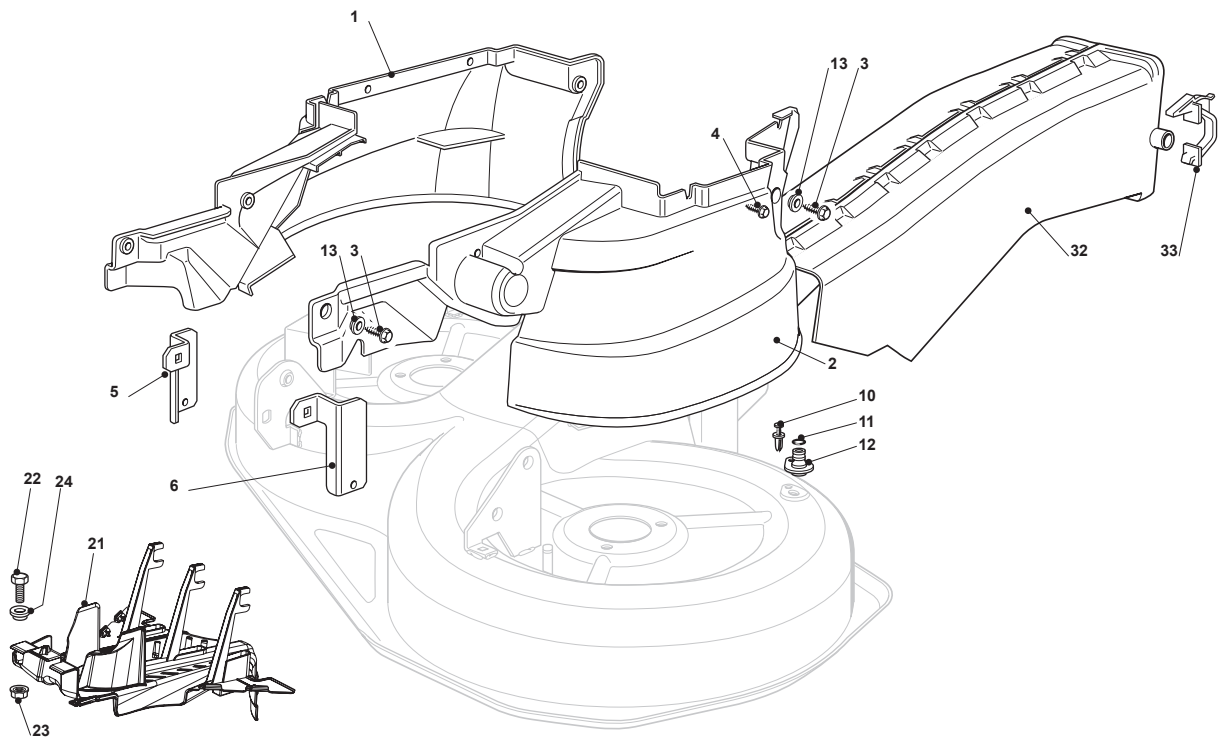
| Fig. | Quantity | Part No | Description | Notes |
|------|----------|-------------|-------------|-------|
| 52 | 1 | 125840025/0 | Tie Rod | |
| 53 | 1 | 325670008/1 | Washer | |
| 54 | 1 | 124487998/0 | Cotter Pin | |
| 55 | 1 | 125510090/0 | Pin | |
| 56 | 1 | 112295200/0 | Nut | |
| 57 | 1 | 112156602/0 | Nut | |
| 58 | 2 | 325670008/1 | Washer | |
| 59 | 1 | 112156602/0 | Nut | |



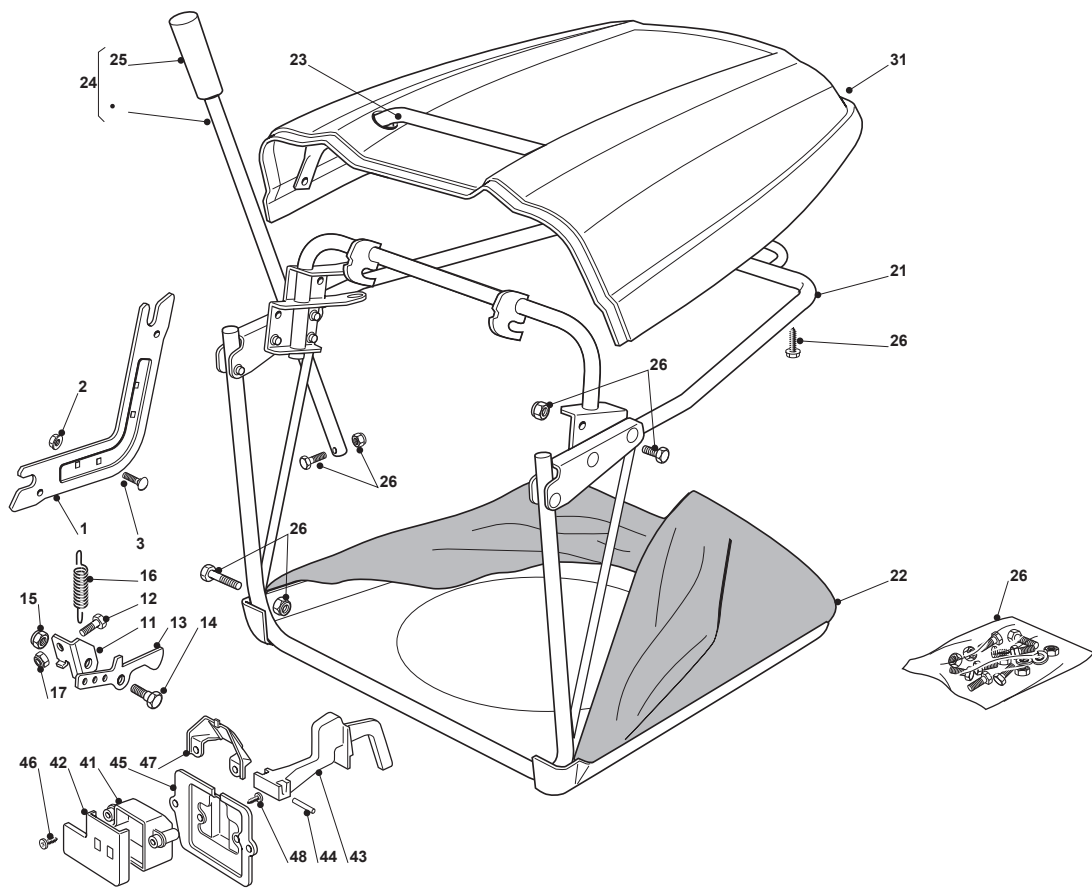
| Fig. | Quantity | Part No | Description | Notes |
|------|----------|-------------|-------------------|-------|
| 1 | 1 | 382547029/0 | Plate | |
| 2 | 4 | 112792611/0 | Screw | |
| 3 | 4 | 112293201/0 | Nut | |
| 4 | 1 | 382785084/1 | Support | |
| 5 | 2 | 125601559/1 | Toothed Pulley | |
| 6 | 2 | 119216048/0 | Bearing | |
| 7 | 2 | 112610800/0 | Seeger | |
| 8 | 2 | 112609200/0 | Seeger | |
| 9 | 1 | 325650037/0 | Pulley Stiffening | |
| 10 | 2 | 112793102/0 | Screw | |
| 11 | 2 | 112521350/0 | Washer | |
| 12 | 2 | 112583500/0 | Grower | |
| 13 | 4 | 125160003/0 | Spacer | |
| 14 | 4 | 125038000/0 | Bushing | |
| 15 | 1 | 112691700/0 | Screw | |
| 16 | 3 | 112691200/0 | Screw | |
| 17 | 4 | 112521350/0 | Washer | |
| 18 | 4 | 112155000/0 | Nut | |
| 19 | 1 | 112793900/0 | Screw | |
| 20 | 1 | 112293200/0 | Nut | |
| 21 | 2 | 125601560/0 | Pulley | |
| 22 | 3 | 112139480/0 | Feather | |
| 23 | 1 | 112793102/0 | Screw | |
| 24 | 1 | 125670007/0 | Washer | |
| 25 | 1 | 112583500/0 | Grower | |
| 26 | 1 | 135065600/0 | Belt | |
| 27 | 3 | 112815200/0 | Screw | |
| 28 | 3 | 112292102/0 | Nut | |
| 29 | 1 | 125060100/3 | Protection | |
| 30 | 6 | 112735110/0 | Screw | |
| 31 | 1 | 125601550/0 | Pulley | |
| 32 | 1 | 112793102/0 | Screw | |
| 33 | 1 | 125670007/0 | Washer | |
| 34 | 1 | 112583500/0 | Grower | |
| 35 | 1 | 125160002/0 | Spacer | |
| 36 | 1 | 325318115/1 | Lever | |
| 40 | 1 | 325601599/0 | Pulley | |
| 41 | 1 | 125160079/0 | Spacer | |
| 42 | 1 | 112818900/0 | Screw | |
| 43 | 1 | 112523060/0 | Washer | |
| 44 | 1 | 112155000/0 | Nut | |
| 45 | 1 | 112793102/0 | Screw | |
| 46 | 1 | 112523070/0 | Washer | |
| 47 | 1 | 112583500/0 | Grower | |
| 48 | 1 | 135062811/0 | Belt | |
| 50 | 1 | 112523060/0 | Washer | |
| 91 | 1 | 182004608/0 | Engagging Cable | |



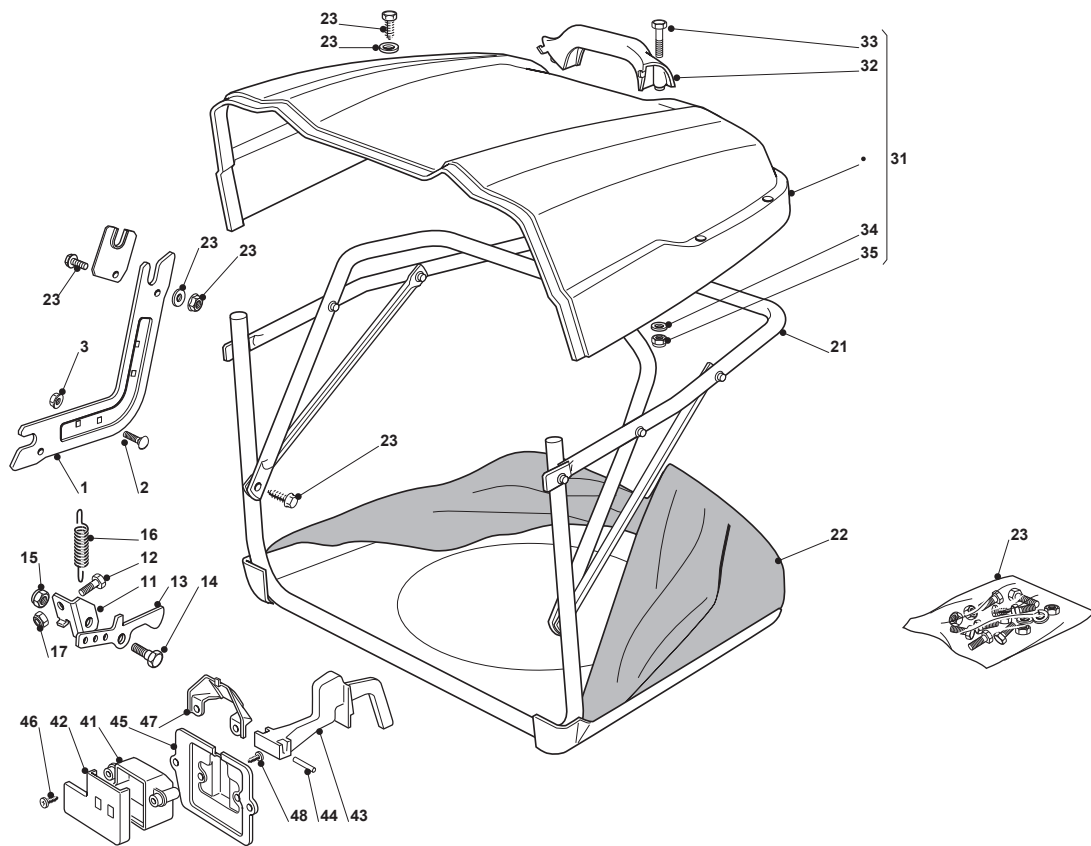
| Fig. | Quantity | Part No | Description | Notes |
|------|----------|-------------|-----------------------------|-------|
| 1 | 1 | 382564151/0 | Cutting Plate Black | |
| 8 | 1 | 382207200/1 | Flange Assy | |
| 9 | 1 | 382207201/2 | Support Shaft Tc | |
| 10 | 1 | 125020800/1 | Main Blade Shaft | |
| 11 | 1 | 125020801/2 | Secondary Blade Shaft | |
| 13 | 4 | 119216047/0 | Bearing | |
| 14 | 2 | 325160501/0 | Dust Cover Disc | |
| 15 | 2 | 112609260/0 | Seeger | |
| 16 | 6 | 112818700/0 | Screw | |
| 17 | 6 | 112154210/0 | Nut | |
| 18 | 2 | 125463200/0 | Blade Hub | |
| 19 | 2 | 112139100/0 | Feather, Crankshaft Ø 22,2 | |
| 20 | 1 | 182004348/0 | Right Mulching Blade | |
| 21 | 1 | 182004347/0 | Left Blade Mulching, Winged | |
| 22 | 2 | 122160400/0 | Elastic Disc | |
| 23 | 2 | 112523080/0 | Washer | |
| 24 | 1 | 112735694/0 | Screw | |
| 25 | 1 | 112735695/1 | Screw | |
| 26 | 2 | 182700001/0 | Levelling Small Wheel | |
| 27 | 2 | 125510072/0 | Pin | |
| 28 | 2 | 112692050/0 | Screw | |
| 29 | 2 | 112523060/0 | Washer | |
| 30 | 2 | 112293201/0 | Nut | |
| 41 | 1 | 182004341/1 | Right Blade, Winged | |
| 42 | 1 | 182004340/1 | Left Blade, Winged | |
| 51 | 2 | 382000474/1 | Equalizer Rod | |
| 52 | 8 | 325670008/1 | Washer | |
| 53 | 2 | 112523060/0 | Washer | |
| 54 | 4 | 112156602/0 | Nut | |



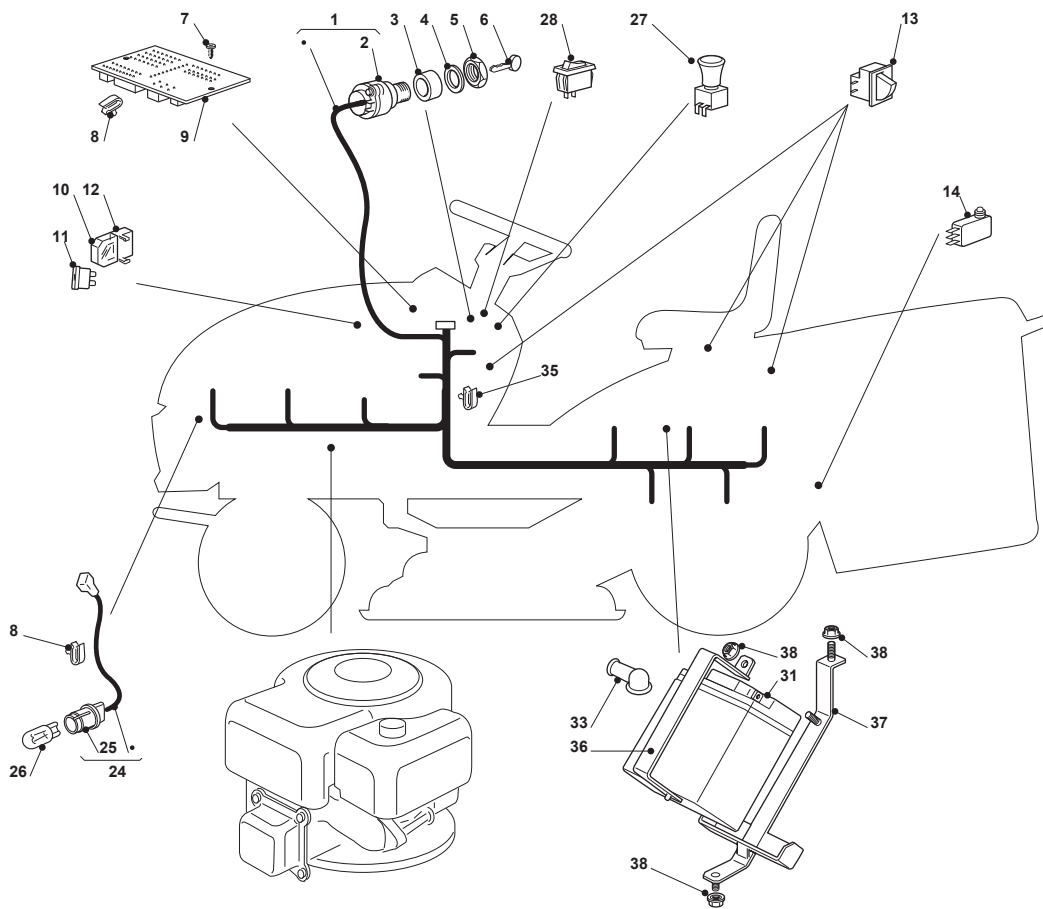
| Fig. | Quantity | Part No | Description | Notes |
|------|----------|-------------|---------------------------------|-------|
| 1 | 1 | 325060156/2 | Right Belt Protection Carter | |
| 2 | 1 | 325060157/1 | Left Belt Protection Carter | |
| 3 | 6 | 125943011/0 | Screw | |
| 4 | 4 | 112735120/0 | Screw | |
| 5 | 1 | 325774381/0 | Bracket | |
| 6 | 1 | 325774383/0 | Bracket | |
| 10 | 2 | 112500030/0 | Rivet | |
| 11 | 2 | 119035000/0 | Or Ring | |
| 12 | 2 | 125033060/0 | Washing Cutting Deck Connection | |
| 13 | 6 | 112604899/0 | Crown Fastener | |
| 21 | 1 | 325060160/0 | Belt Protection | |
| 22 | 2 | 112791400/0 | Screw | |
| 23 | 2 | 112154510/0 | Nut | |
| 24 | 2 | 112521330/0 | Washer | |
| 32 | 2 | 382108021/0 | Conveyor | |
| 33 | 2 | 325774373/0 | Clamp | |



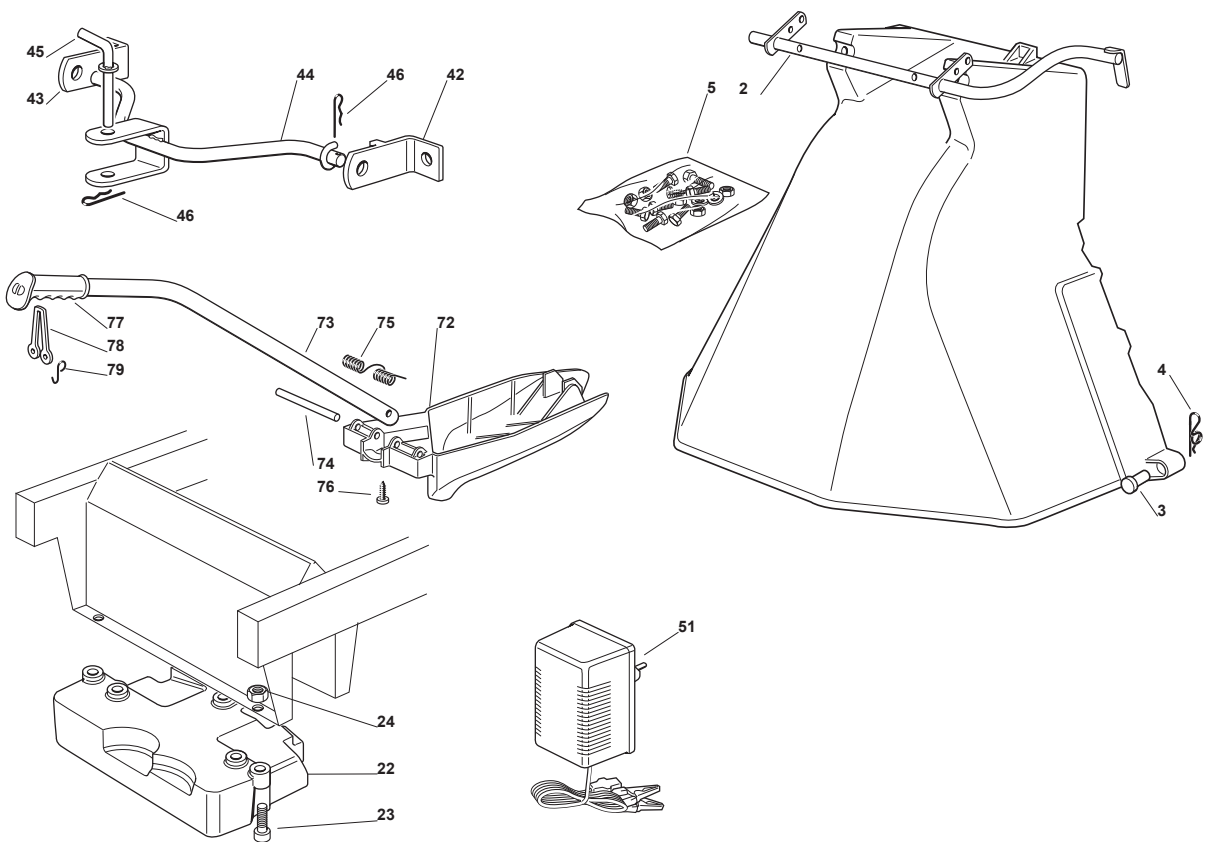
| Fig. | Quantity | Part No | Description | Notes |
|------|----------|-------------|-------------------------------------|--------|
| 1 | 2 | 325785275/0 | Support | |
| 2 | 4 | 112818690/0 | Screw | |
| 3 | 4 | 112293201/0 | Nut | |
| 11 | 1 | 325755031/1 | Bracket | |
| 12 | 1 | 112789000/0 | Screw | |
| 13 | 1 | 325774315/1 | Bracket | |
| 14 | 1 | 125510080/1 | Pin | |
| 15 | 1 | 112292102/0 | Nut | |
| 16 | 1 | 122450432/0 | Spring | |
| 17 | 1 | 112154330/0 | Nut | |
| 21 | 1 | 382800111/0 | Front Frame | |
| 22 | 1 | 182105973/0 | Grasscatcher | |
| 23 | 1 | 382394003/0 | Front Handle | |
| 24 | 1 | 382869023/0 | Rod | |
| 25 | 1 | 125394508/0 | Knob | |
| 26 | 1 | 382180048/0 | Screw | |
| 31 | 1 | 325110319/0 | Yellow Grass-Catcher Cover | Yellow |
| 31 | 1 | 325110320/0 | Red Grass-Catcher Cover | Red |
| 31 | 1 | 325110342/0 | Grey Grass-Catcher Cover | Grey |
| 31 | 1 | 325110413/0 | Black Grass-Catcher Cover | Black |
| 31 | 1 | 325110421/0 | White Grass-Catcher Cover | White |
| 41 | 1 | 125600041/0 | Grassc.Full Micro Protection | |
| 42 | 1 | 125600042/0 | Grasscatcher Micro Prot Cover | |
| 43 | 1 | 125318124/0 | Full Grassc. Microswtich Cover | |
| 44 | 1 | 112400030/0 | Pin | |
| 45 | 1 | 325785272/0 | Micro Protection | |
| 46 | 1 | 112728510/0 | Screw | |
| 47 | 1 | 125600048/0 | Empty Micro Grassc.Protection Cover | |
| 48 | 2 | 112735110/0 | Screw | |



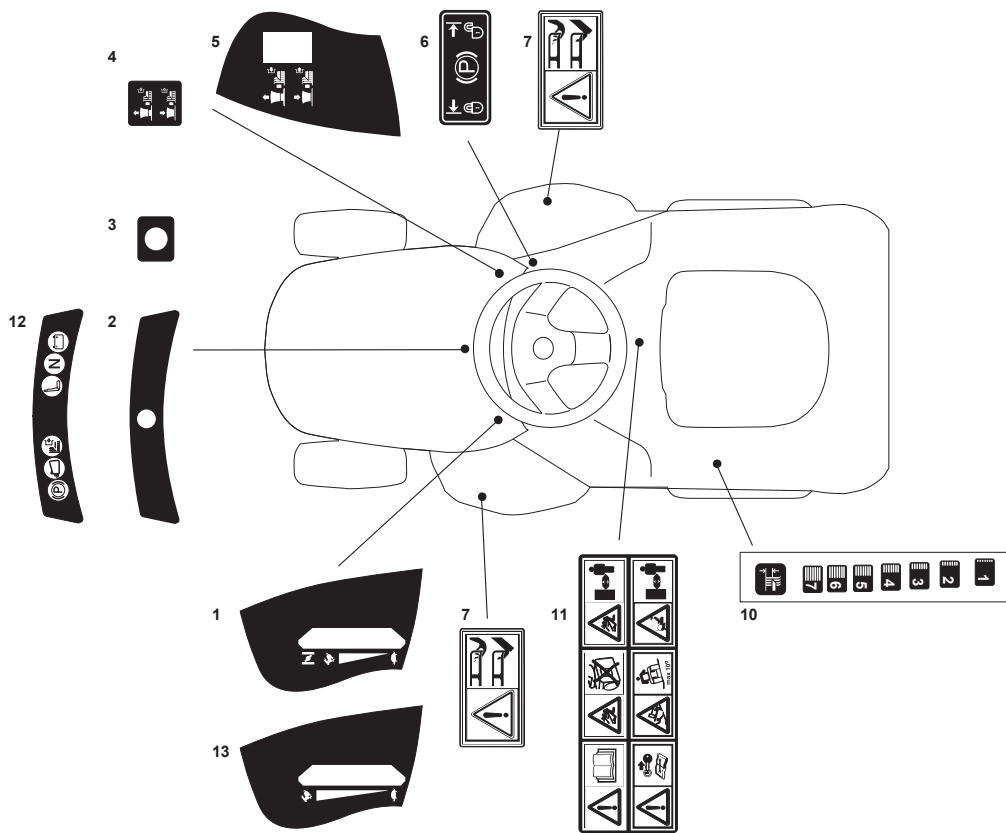
| Fig. | Quantity | Part No | Description | Notes |
|------|----------|-------------|-------------------------------------|-------|
| 1 | 2 | 325785275/0 | Support | |
| 2 | 4 | 112818690/0 | Screw | |
| 3 | 4 | 112293201/0 | Nut | |
| 11 | 1 | 325755031/1 | Bracket | |
| 12 | 1 | 112789000/0 | Screw | |
| 13 | 1 | 325774315/1 | Bracket | |
| 14 | 1 | 125510080/1 | Pin | |
| 15 | 1 | 112292102/0 | Nut | |
| 16 | 1 | 122450432/0 | Spring | |
| 17 | 1 | 112154330/0 | Nut | |
| 21 | 1 | 382800110/0 | Front Frame | |
| 22 | 1 | 182105974/0 | Grasscatcher | |
| 23 | 1 | 382180120/0 | Screw | |
| 31 | 1 | 382110273/1 | Black Grass-Catcher Cover | |
| 32 | 1 | 127394000/0 | Handle | |
| 33 | 2 | 112789020/0 | Screw | |
| 34 | 2 | 112523020/0 | Washer | |
| 35 | 2 | 112154330/0 | Nut | |
| 41 | 1 | 125600041/0 | Grassc.Full Micro Protection | |
| 42 | 1 | 125600042/0 | Grasscatcher Micro Prot Cover | |
| 43 | 1 | 125318124/0 | Full Grassc. Microswtich Cover | |
| 44 | 1 | 112400030/0 | Pin | |
| 45 | 1 | 325785272/0 | Micro Protection | |
| 46 | 1 | 112728510/0 | Screw | |
| 47 | 1 | 125600048/0 | Empty Micro Grassc.Protection Cover | |
| 48 | 2 | 112735110/0 | Screw | |



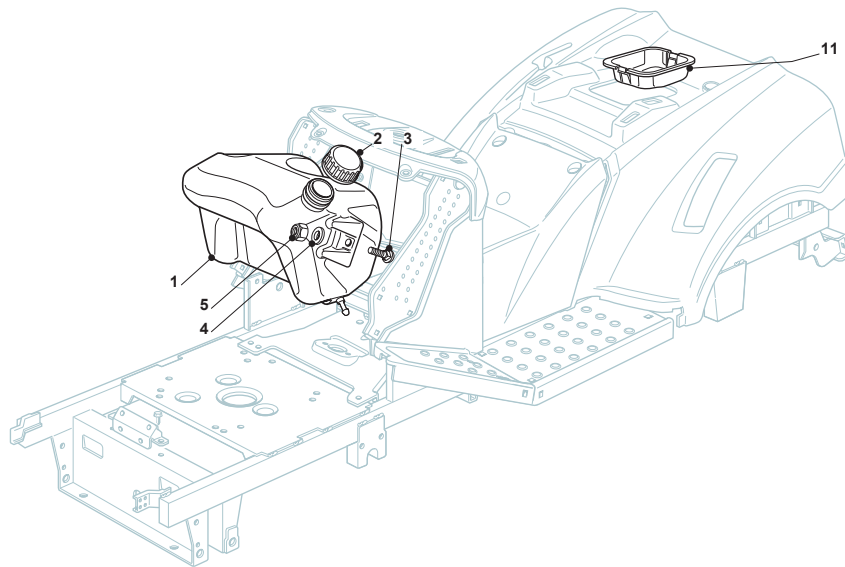
| Fig. | Quantity | Part No | Description | Notes |
|------|----------|-------------|--------------------------------|-----------------------------|
| 1 | 1 | 182040201/0 | Cables Ass.Y | for GGP-B&S-Kawasaki Engine |
| 1 | 1 | 182040202/0 | Cables Ass.Y | for Honda Engine |
| 1 | 1 | 182040192/0 | Cables Ass.Y | for LED version |
| 2 | 1 | 118450072/0 | Starting Switch | |
| 3 | 1 | 118550136/0 | Spacer | |
| 4 | 1 | 118550135/0 | Washer | |
| 5 | 1 | 118400862/0 | Ring Nut | |
| 6 | 1 | 118210022/0 | Starting Key | |
| 7 | 3 | 112727810/0 | Screw | |
| 8 | 2 | 133320506/0 | Fairlead | |
| 9 | 1 | 125722443/0 | Electronic Card (1 Led) | 1 led |
| 9 | 1 | 125722442/0 | Electronic Card (6 Led) | 6 led |
| 10 | 2 | 133215000/0 | Cover | |
| 11 | 1 | 133340036/0 | Fuse 25 A | |
| 11 | 1 | 133340040/0 | Fuse 10 A | |
| 12 | 2 | 133500007/0 | Fuse Carrier | |
| 13 | 3 | 119410615/0 | Microswitch | |
| 14 | 1 | 119410605/1 | Microswitch | |
| 24 | 1 | 182040192/0 | Cables Ass.Y | for LED version |
| 24 | 1 | 182040073/0 | Lamp Holder | for NJX-NJS-NJU-NJA models |
| 25 | 2 | 133500030/0 | Lamp Holder | |
| 26 | 2 | 118459100/0 | Lamp For Lights | |
| 27 | 1 | 118450068/0 | Switch | |
| 28 | 1 | 118450060/1 | Headlight Interrupt. Cre1116-0 | |
| 31 | 1 | 118120002/1 | Battery | |
| 33 | 1 | 118564861/1 | Protection | |
| 35 | 9 | 133320506/0 | Fairlead | |
| 36 | 1 | 327772099/1 | Clamp | |
| 37 | 1 | 382785191/0 | Battery Support | |
| 38 | 3 | 112155000/0 | Nut | |



| Fig. | Quantity | Part No | Description | Notes |
|------|----------|-------------|-----------------------|----------|
| 2 | 1 | 382869035/0 | Stone Guard Tube | |
| 3 | 2 | 125510022/0 | Pin | |
| 4 | 2 | 124487998/0 | Cotter Pin | |
| 5 | 1 | 382180062/0 | Outfit, Screws | |
| 22 | 1 | 125519997/1 | Front Weight Tc | |
| 23 | 3 | 112760520/0 | Screw | |
| 24 | 3 | 112155000/0 | Nut | |
| 42 | 1 | 382735502/0 | Bracket | |
| 43 | 1 | 325774213/0 | Bracket | |
| 44 | 1 | 382033117/0 | Rod | |
| 45 | 1 | 125510021/1 | Hitch Pin | |
| 46 | 2 | 124487999/0 | Spring Pin | |
| 51 | 1 | 182180090/0 | Battery Charger | CE Plugg |
| 51 | 1 | 182180091/0 | Battery Charger | UK Plugg |
| 72 | 1 | 325140097/0 | Deflector | |
| 73 | 1 | 325394005/0 | Handle | |
| 74 | 1 | 125510077/0 | Pin | |
| 75 | 1 | 125430245/0 | Spring | |
| 76 | 1 | 112735405/0 | Screw | |
| 77 | 1 | 325280000/1 | Handgrip | |
| 78 | 1 | 125840011/1 | Tie Rod | |
| 79 | 2 | 125253004/0 | Mulch.Kit Fixing Hook | |



| Fig. | Quantity | Part No | Description | Notes |
|------|----------|-------------|-------------|---------------------------------|
| 1 | 1 | 114361440/0 | Label | for NJTP-NJX-NJS-NJU-NJA models |
| 2 | 1 | 125420024/0 | Label | 1 led |
| 5 | 1 | 114361439/0 | Label | for NJTP-NJX-NJS-NJU-NJA models |
| 6 | 1 | 114361452/0 | Label | |
| 7 | 2 | 114356699/1 | Label | |
| 10 | 1 | 114361441/0 | Label | |
| 11 | 1 | 114361553/1 | Label | |
| 12 | 1 | 125420020/0 | Label | 6 led |
| 13 | 1 | 114364616/0 | Label | for Honda GXV390 |

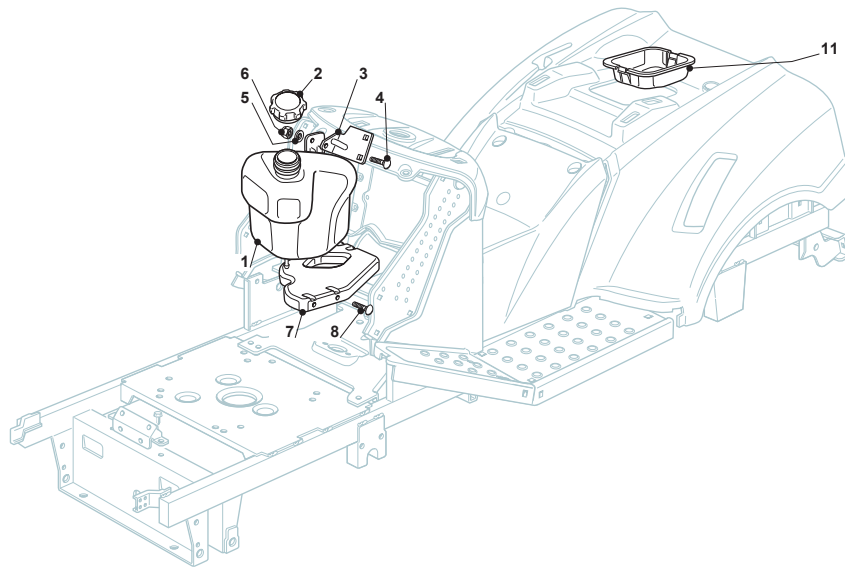


NJA 102 HYDRO

Ride-on 102-122 Tank - 5,5 Lt

Issue 10 - 2015

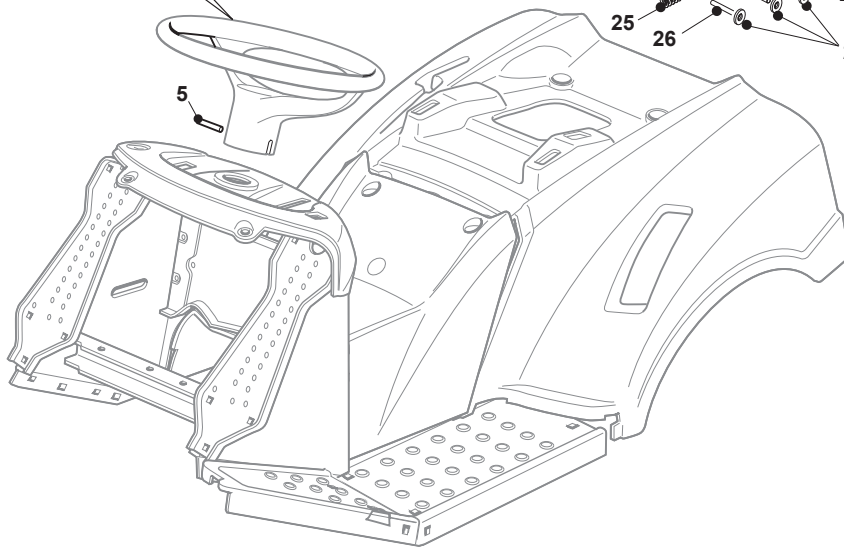
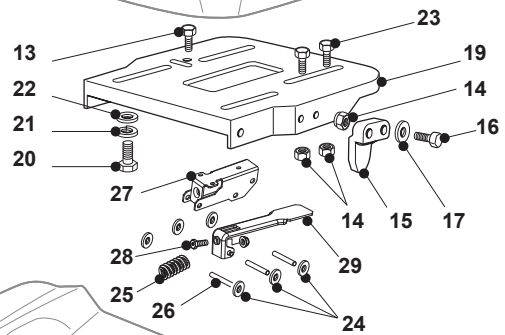
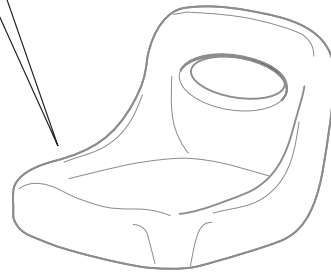
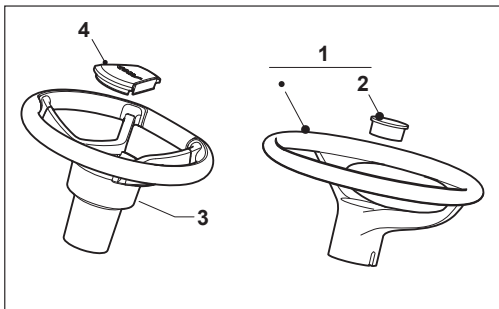
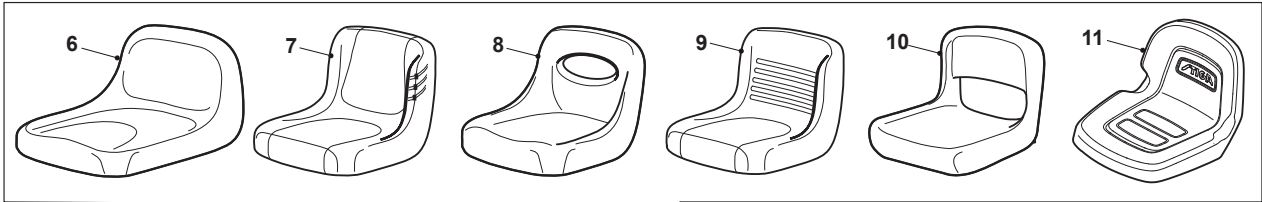
| Fig. | Quantity | Part No | Description | Notes |
|------|----------|-------------|-------------|-------|
| 1 | 1 | 325735128/0 | Tank | |
| 2 | 1 | 125795000/1 | Fuel Cap | |
| 3 | 2 | 112815210/0 | Screw | |
| 4 | 2 | 325160039/0 | Spacer | |
| 5 | 2 | 112154510/0 | Nut | |
| 11 | 1 | 325207176/0 | Basin | |



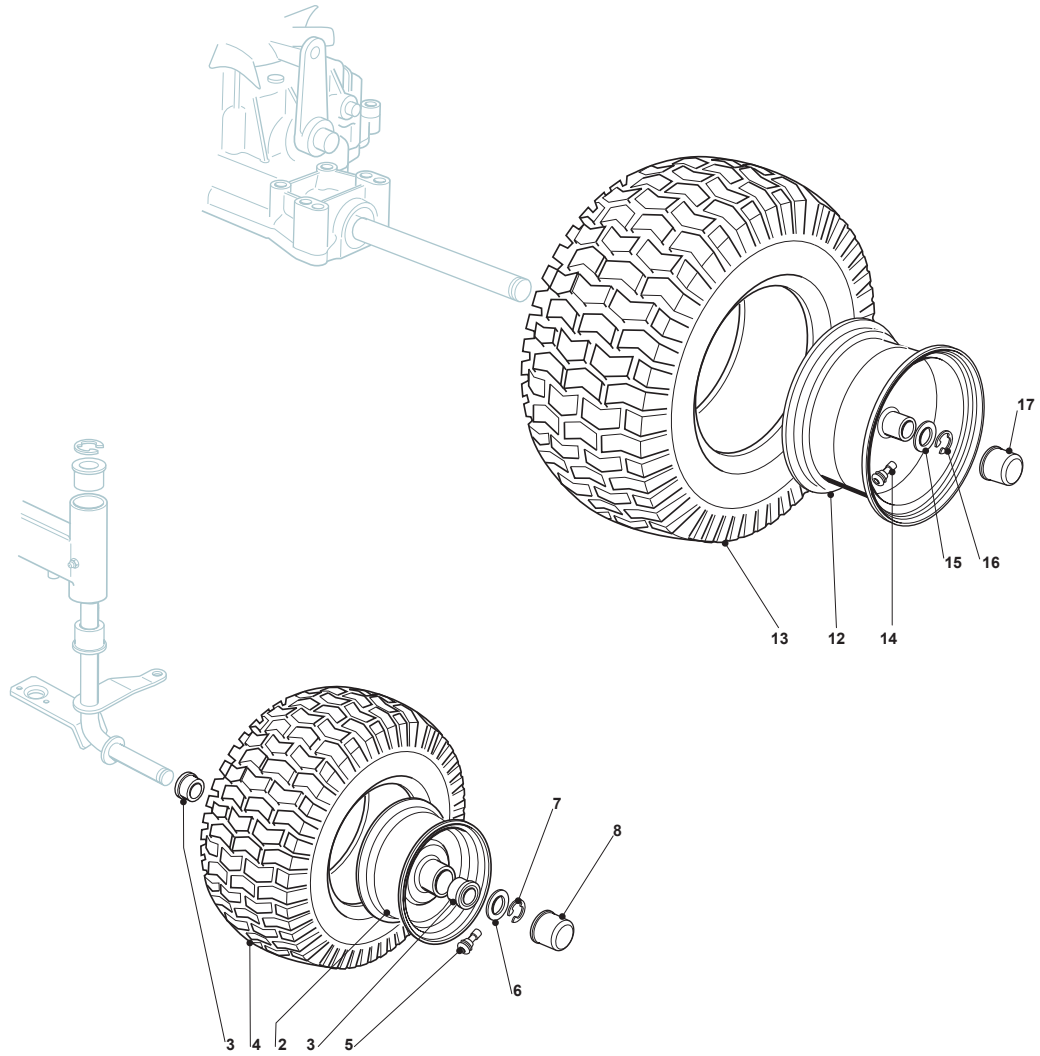
Ride-on 102-122 Tank - 4,5 Lt

Issue 10 - 2015

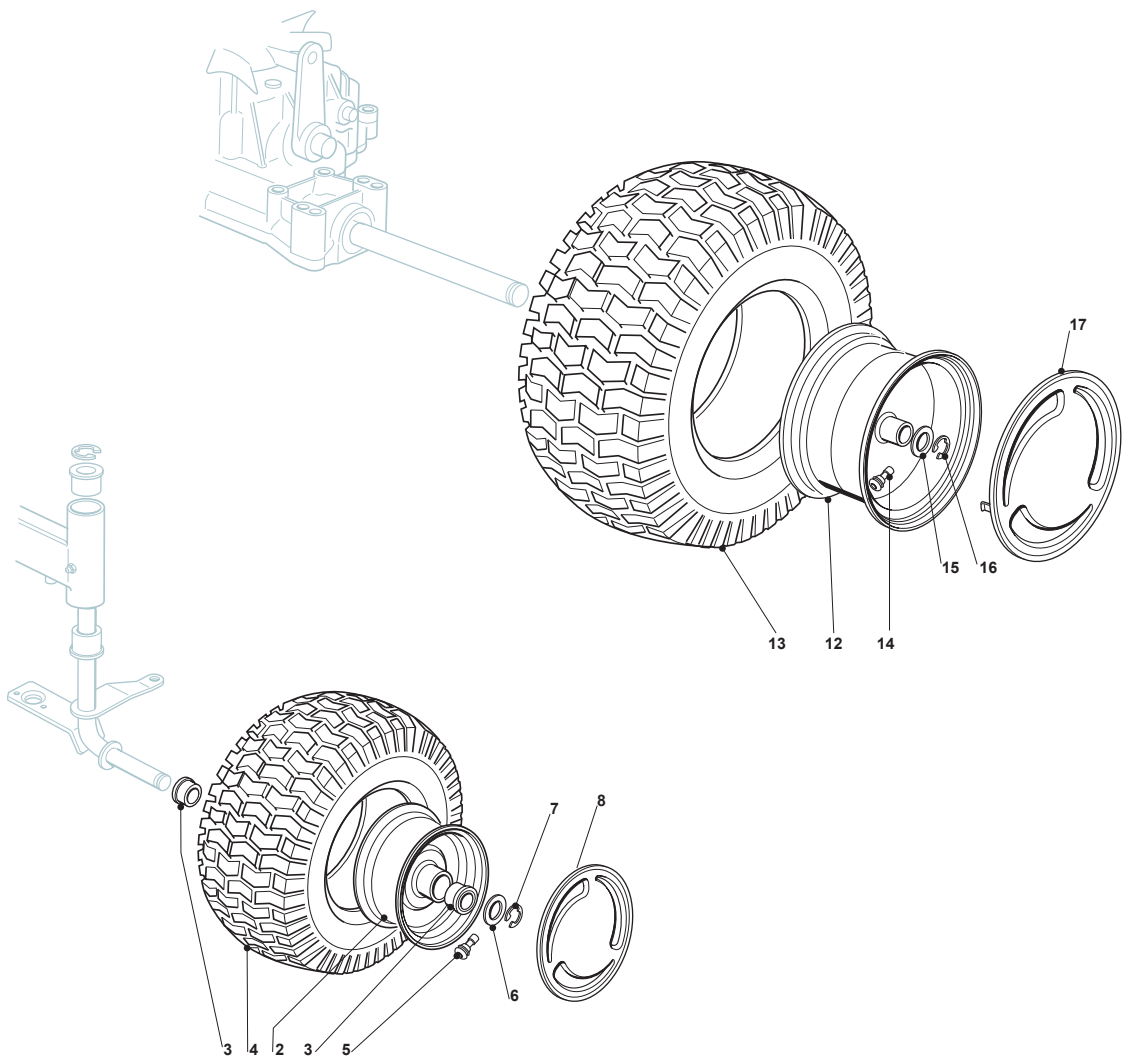
| Fig. | Quantity | Part No | Description | Notes |
|------|----------|-------------|-------------|-------|
| 1 | 1 | 325735124/0 | Fuel Tank | |
| 2 | 1 | 125795001/1 | Cap | |
| 3 | 1 | 325785291/0 | Support | |
| 4 | 1 | 112789195/0 | Screw | |
| 5 | 1 | 112581500/0 | Grower | |
| 6 | 1 | 112437503/0 | Plate | |
| 7 | 1 | 325785289/0 | Support | |
| 8 | 4 | 112735403/0 | Screw | |
| 11 | 1 | 325207176/0 | Basin | |



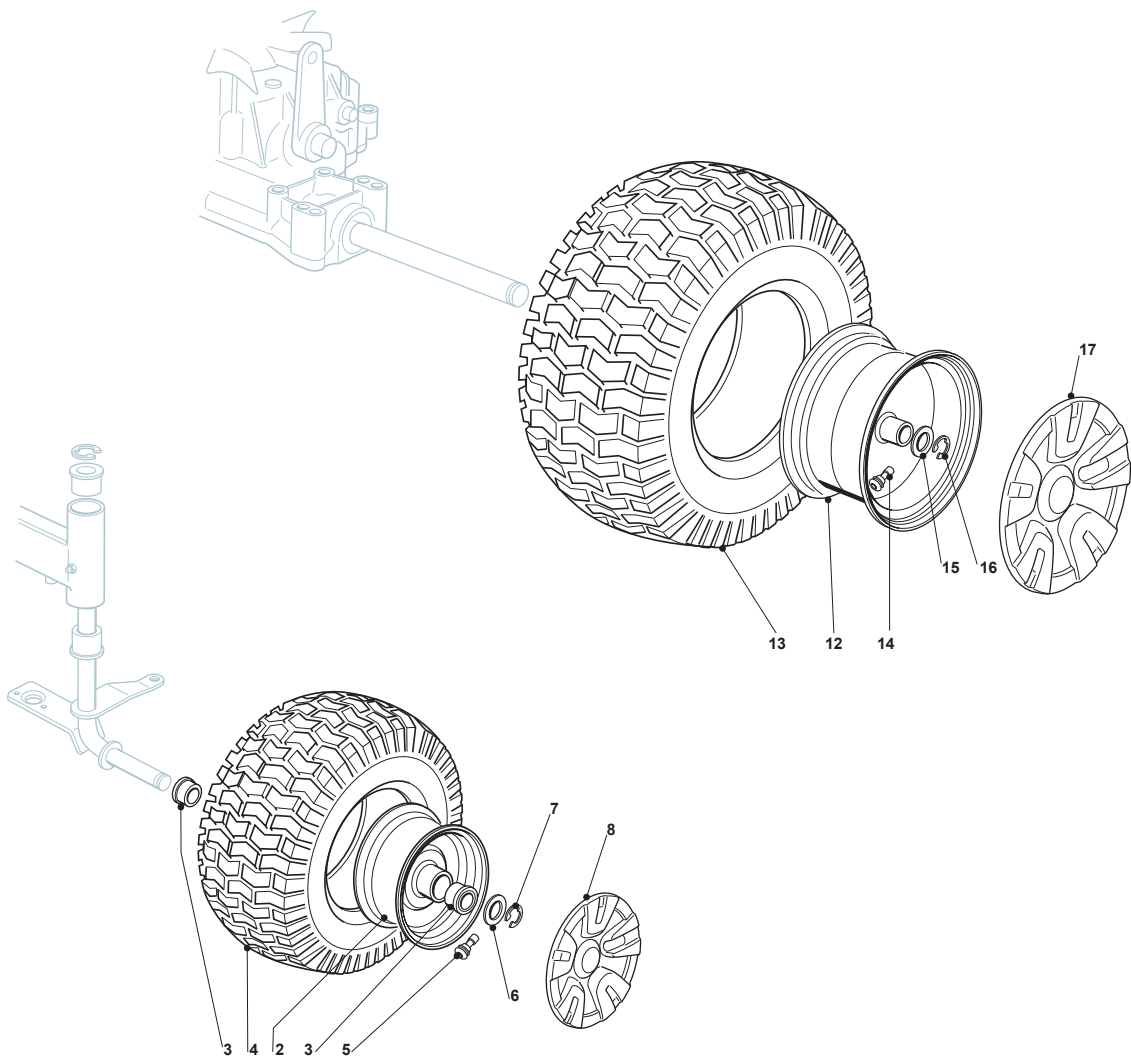
| Fig. | Quantity | Part No | Description | Notes |
|------|----------|-------------|----------------------|-----------------------|
| 1 | 1 | 125961209/0 | Steering Wheel | Black |
| 1 | 1 | 125961201/0 | Steering Wheel | |
| 5 | 1 | 112620299/0 | Elastic Pin | |
| 7 | 1 | 125722463/0 | Seat | |
| 9 | 1 | 125722471/0 | Seat | |
| 11 | 1 | 125722478/1 | Seat | |
| 13 | 1 | 112789000/0 | Screw | |
| 15 | 1 | 327063021/1 | Cam | |
| 17 | 2 | 112523020/0 | Washer | |
| 19 | 1 | 325547033/2 | Seat Plate | |
| 21 | 4 | 112583500/0 | Grower | |
| 23 | 2 | 112789000/0 | Screw | |
| 25 | 1 | 125430285/0 | Spring | |
| 27 | 1 | 325774575/0 | Fulcrum Clamp | |
| 29 | 1 | 325318327/0 | Lever | |
| 1 | 1 | 125961212/0 | Steering Wheel | Grey |
| 1 | 1 | 125961216/0 | Steering Wheel | Black |
| 2 | 1 | 325580500/0 | Cap | Grey |
| 2 | 1 | 325580501/0 | Cap | Black |
| 3 | 1 | 325961222/1 | Steering wheel | |
| 4 | 1 | 325580508/0 | Steering Plate Cover | only for STIGA models |
| 6 | 1 | 125722470/0 | Seat | |
| 8 | 1 | 125722453/1 | Seat | |
| 10 | 1 | 125722456/0 | Seat | |
| 12 | 1 | 125430285/0 | Spring | |
| 14 | 1 | 112154330/0 | Nut | |
| 16 | 2 | 112789100/0 | Screw | |
| 18 | 2 | 112154330/0 | Nut | |
| 20 | 4 | 112793101/0 | Screw | |
| 22 | 4 | 112523060/0 | Washer | |
| 24 | 6 | 112604896/0 | Crown Fastener | |
| 26 | 3 | 122517866/0 | Pin | |
| 28 | 1 | 112735661/0 | Screw | |



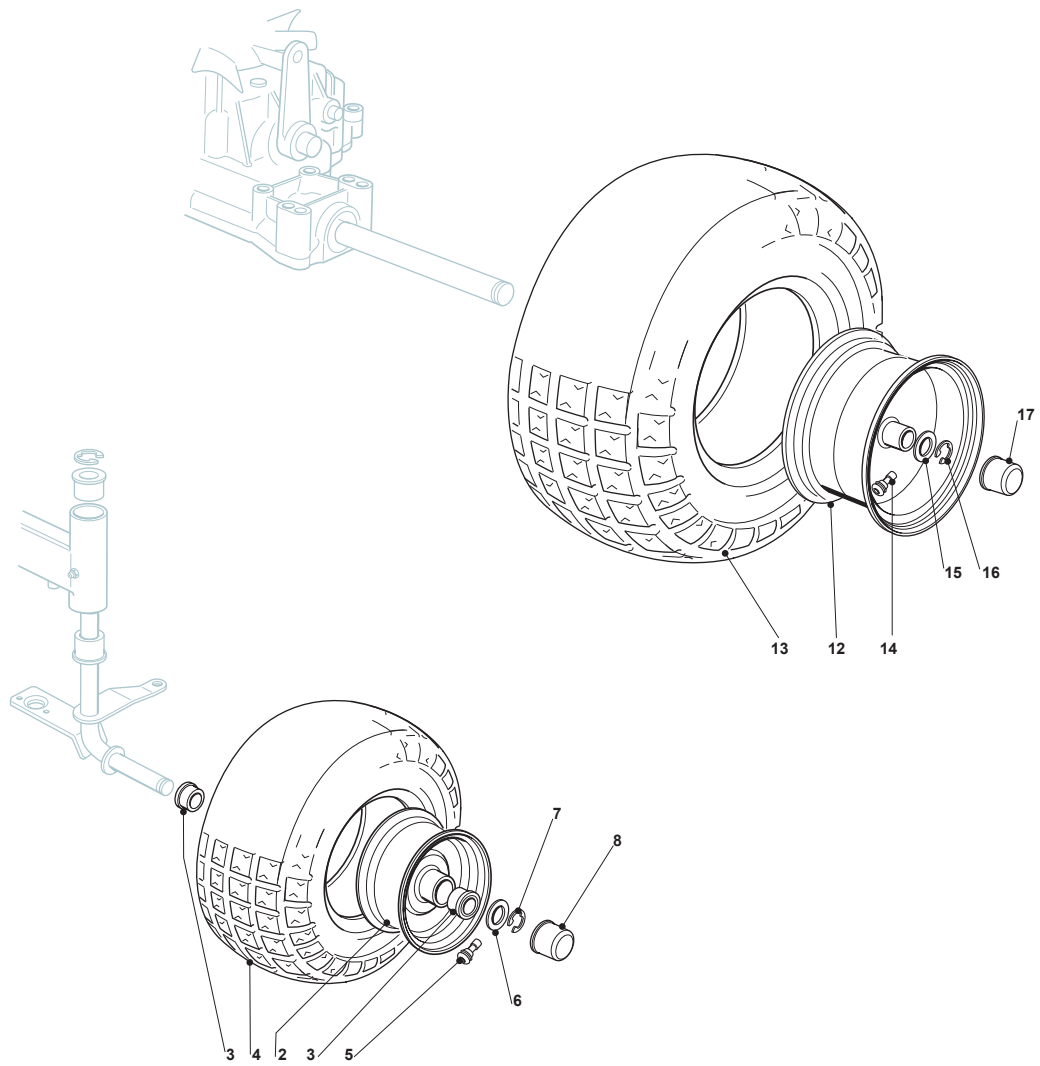
| Fig. | Quantity | Part No | Description | Notes |
|------|----------|-------------|--------------|----------------------------|
| 2 | 2 | 182000598/0 | Rimm | |
| 3 | 4 | 125122200/2 | Bearing | |
| 4 | 2 | 125590014/0 | Tyre | 13 inch |
| 4 | 2 | 127590066/0 | Tyre | 15 inch |
| 5 | 2 | 125950000/0 | Valve | |
| 6 | 2 | 125670005/1 | Washer | |
| 7 | 2 | 112001000/0 | Benzing Ring | |
| 8 | 2 | 122110230/0 | Hub Cover | Standard black hub version |
| 12 | 2 | 182000599/0 | Rimm | |
| 13 | 2 | 125590015/0 | Tyre | |
| 14 | 2 | 125950000/0 | Valve | |
| 15 | 2 | 125670005/1 | Washer | |
| 16 | 2 | 112001010/0 | Benzing Ring | |
| 17 | 2 | 122110230/0 | Hub Cover | Standard black hub version |



| Fig. | Quantity | Part No | Description | Notes |
|------|----------|-------------|-------------------|---------------------------|
| 2 | 2 | 182000598/0 | Rimm | |
| 3 | 4 | 125122200/2 | Bearing | |
| 4 | 2 | 125590014/0 | Tyre | 13 inch |
| 4 | 2 | 127590066/0 | Tyre | 15 inch |
| 5 | 2 | 125950000/0 | Valve | |
| 6 | 2 | 125670005/1 | Washer | |
| 7 | 2 | 112001000/0 | Benzing Ring | |
| 8 | 2 | 382110252/0 | Front Wheel Cover | |
| 12 | 2 | 182000599/0 | Rimm | |
| 13 | 2 | 125590015/0 | Tyre | |
| 14 | 2 | 125950000/0 | Valve | |
| 15 | 2 | 125670005/1 | Washer | |
| 16 | 2 | 112001010/0 | Benzing Ring | |
| 17 | 2 | 382110253/0 | Wheel Cover | Standard grey hub version |



| Fig. | Quantity | Part No | Description | Notes |
|------|----------|-------------|-----------------|---------------------------|
| 2 | 2 | 182000598/0 | Rimm | |
| 3 | 4 | 125122200/2 | Bearing | |
| 4 | 2 | 125590014/0 | Tyre | 13 inch |
| 4 | 2 | 127590066/0 | Tyre | 15 inch |
| 5 | 2 | 125950000/0 | Valve | |
| 6 | 2 | 125670005/1 | Washer | |
| 7 | 2 | 112001000/0 | Benzing Ring | |
| 8 | 2 | 382110274/0 | Wheel Cover | Standard grey hub version |
| 12 | 2 | 182000599/0 | Rimm | |
| 13 | 2 | 125590015/0 | Tyre | |
| 14 | 2 | 125950000/0 | Valve | |
| 15 | 2 | 125670005/1 | Washer | |
| 16 | 2 | 112001010/0 | Benzing Ring | |
| 17 | 2 | 382110275/0 | Rear Wheel Deck | Standard grey hub version |



| Fig. | Quantity | Part No | Description | Notes |
|------|----------|-------------|-----------------|----------------------------|
| 2 | 2 | 182000590/1 | Rimm | |
| 3 | 4 | 125122200/2 | Bearing | |
| 4 | 2 | 125590020/0 | Tyre | |
| 5 | 2 | 125950000/0 | Valve | |
| 6 | 2 | 125670005/1 | Washer | |
| 7 | 2 | 112001000/0 | Benzing Ring | |
| 8 | 2 | 122110230/0 | Hub Cover | Standard black hub version |
| 8 | 2 | 122110239/0 | Hub Cover | Stiga Style version |
| 12 | 2 | 182000592/0 | Rear Wheel Rimm | |
| 13 | 2 | 125590022/0 | Tyre | |
| 14 | 2 | 125950000/0 | Valve | |
| 15 | 2 | 125670005/1 | Washer | |
| 16 | 2 | 112001010/0 | Benzing Ring | |
| 17 | 2 | 122110230/0 | Hub Cover | Standard black hub version |
| 17 | 2 | 122110239/0 | Hub Cover | Stiga Style version |

| code | pos. | q.ty | page | | | | | | | | |
|--------------|------|------|-------|-------------|----|---|-------|-------------|----|---|-------|
| 1134-5827-01 | 11 | 1 | p. 17 | 112156602/0 | 57 | 1 | p. 39 | 112295300/0 | 48 | 1 | p. 13 |
| 1134-5827-01 | 11 | 1 | p. 19 | 112156602/0 | 59 | 1 | p. 39 | 112360352/0 | 44 | 2 | p. 17 |
| 112000940/0 | 40 | 2 | p. 15 | 112156602/0 | 59 | 2 | p. 13 | 112360352/0 | 44 | 2 | p. 19 |
| 112001000/0 | 7 | 2 | p. 63 | 112280100/0 | 12 | 2 | p. 29 | 112360352/0 | 44 | 2 | p. 25 |
| 112001000/0 | 7 | 2 | p. 65 | 112280100/0 | 12 | 2 | p. 31 | 112360352/0 | 44 | 2 | p. 27 |
| 112001000/0 | 7 | 2 | p. 67 | 112290791/0 | 45 | 2 | p. 15 | 112360425/0 | 8 | 3 | p. 29 |
| 112001000/0 | 7 | 2 | p. 69 | 112290800/0 | 28 | 1 | p. 29 | 112360425/0 | 8 | 3 | p. 31 |
| 112001000/0 | 51 | 2 | p. 13 | 112290800/0 | 28 | 1 | p. 31 | 112360425/0 | 17 | 2 | p. 17 |
| 112001010/0 | 16 | 2 | p. 63 | 112290800/0 | 66 | 1 | p. 17 | 112360425/0 | 17 | 2 | p. 19 |
| 112001010/0 | 16 | 2 | p. 65 | 112290800/0 | 66 | 1 | p. 19 | 112360425/0 | 17 | 2 | p. 27 |
| 112001010/0 | 16 | 2 | p. 67 | 112290800/0 | 66 | 1 | p. 21 | 112360425/0 | 18 | 2 | p. 21 |
| 112001010/0 | 16 | 2 | p. 69 | 112290800/0 | 66 | 1 | p. 23 | 112360425/0 | 34 | 2 | p. 23 |
| 112139100/0 | 19 | 2 | p. 43 | 112290800/0 | 66 | 1 | p. 25 | 112360425/0 | 34 | 2 | p. 25 |
| 112139480/0 | 22 | 3 | p. 41 | 112290800/0 | 66 | 1 | p. 27 | 112360425/0 | 50 | 2 | p. 3 |
| 112154210/0 | 5 | 1 | p. 25 | 112292102/0 | 12 | 2 | p. 15 | 112360425/0 | 50 | 2 | p. 7 |
| 112154210/0 | 8 | 4 | p. 23 | 112292102/0 | 13 | 4 | p. 3 | 112379511/0 | 12 | 1 | p. 13 |
| 112154210/0 | 9 | 1 | p. 17 | 112292102/0 | 13 | 4 | p. 7 | 112379511/0 | 43 | 2 | p. 13 |
| 112154210/0 | 9 | 1 | p. 19 | 112292102/0 | 15 | 1 | p. 47 | 112400030/0 | 44 | 1 | p. 47 |
| 112154210/0 | 10 | 2 | p. 21 | 112292102/0 | 15 | 1 | p. 49 | 112400030/0 | 44 | 1 | p. 49 |
| 112154210/0 | 17 | 6 | p. 43 | 112292102/0 | 16 | 2 | p. 3 | 112436030/0 | 7 | 1 | p. 13 |
| 112154210/0 | 24 | 1 | p. 37 | 112292102/0 | 16 | 2 | p. 7 | 112437503/0 | 6 | 1 | p. 59 |
| 112154210/0 | 24 | 3 | p. 17 | 112292102/0 | 19 | 2 | p. 3 | 112500030/0 | 10 | 2 | p. 45 |
| 112154210/0 | 24 | 3 | p. 19 | 112292102/0 | 19 | 2 | p. 7 | 112521330/0 | 24 | 2 | p. 45 |
| 112154210/0 | 24 | 3 | p. 19 | 112292102/0 | 19 | 2 | p. 37 | 112521330/0 | 34 | 4 | p. 11 |
| 112154210/0 | 55 | 4 | p. 33 | 112292102/0 | 27 | 2 | p. 41 | 112521330/0 | 55 | 2 | p. 13 |
| 112154210/0 | 64 | 1 | p. 33 | 112292102/0 | 28 | 3 | p. 41 | 112521350/0 | 6 | 1 | p. 15 |
| 112154330/0 | 14 | 1 | p. 61 | 112292102/0 | 33 | 8 | p. 3 | 112521350/0 | 8 | 1 | p. 15 |
| 112154330/0 | 17 | 1 | p. 47 | 112292102/0 | 33 | 8 | p. 7 | 112521350/0 | 8 | 1 | p. 15 |
| 112154330/0 | 17 | 1 | p. 49 | 112292102/0 | 42 | 2 | p. 17 | 112521350/0 | 11 | 2 | p. 41 |
| 112154330/0 | 18 | 2 | p. 61 | 112292102/0 | 42 | 2 | p. 19 | 112521350/0 | 17 | 4 | p. 41 |
| 112154330/0 | 35 | 2 | p. 49 | 112292102/0 | 42 | 2 | p. 25 | 112521350/0 | 19 | 1 | p. 29 |
| 112154330/0 | 45 | 2 | p. 3 | 112292102/0 | 42 | 2 | p. 27 | 112521350/0 | 19 | 1 | p. 31 |
| 112154330/0 | 45 | 2 | p. 7 | 112292102/0 | 42 | 2 | p. 21 | 112521360/0 | 40 | 2 | p. 37 |
| 112154510/0 | 5 | 1 | p. 37 | 112292102/0 | 43 | 2 | p. 23 | 112521370/0 | 6 | 1 | p. 13 |
| 112154510/0 | 5 | 2 | p. 57 | 112292102/0 | 43 | 2 | p. 15 | 112523020/0 | 17 | 2 | p. 61 |
| 112154510/0 | 23 | 2 | p. 45 | 112292102/0 | 55 | 4 | p. 5 | 112523020/0 | 34 | 2 | p. 49 |
| 112154510/0 | 35 | 4 | p. 11 | 112292102/0 | 95 | 4 | p. 9 | 112523040/0 | 23 | 1 | p. 37 |
| 112154510/0 | 37 | 4 | p. 15 | 112293200/0 | 20 | 1 | p. 41 | 112523040/0 | 39 | 2 | p. 15 |
| 112154510/0 | 56 | 2 | p. 13 | 112293200/0 | 20 | 2 | p. 33 | 112523050/0 | 63 | 4 | p. 15 |
| 112155000/0 | 7 | 1 | p. 15 | 112293201/0 | 3 | 4 | p. 41 | 112523060/0 | 9 | 1 | p. 33 |
| 112155000/0 | 8 | 2 | p. 37 | 112293201/0 | 3 | 4 | p. 47 | 112523060/0 | 10 | 2 | p. 37 |
| 112155000/0 | 9 | 1 | p. 15 | 112293201/0 | 3 | 4 | p. 49 | 112523060/0 | 12 | 1 | p. 33 |
| 112155000/0 | 11 | 1 | p. 21 | 112293201/0 | 7 | 4 | p. 3 | 112523060/0 | 15 | 1 | p. 33 |
| 112155000/0 | 12 | 1 | p. 37 | 112293201/0 | 7 | 4 | p. 7 | 112523060/0 | 22 | 4 | p. 61 |
| 112155000/0 | 13 | 1 | p. 33 | 112293201/0 | 16 | 2 | p. 37 | 112523060/0 | 29 | 2 | p. 43 |
| 112155000/0 | 15 | 1 | p. 15 | 112293201/0 | 18 | 2 | p. 11 | 112523060/0 | 43 | 1 | p. 41 |
| 112155000/0 | 16 | 1 | p. 33 | 112293201/0 | 22 | 1 | p. 33 | 112523060/0 | 44 | 1 | p. 33 |
| 112155000/0 | 18 | 4 | p. 41 | 112293201/0 | 22 | 2 | p. 3 | 112523060/0 | 50 | 1 | p. 41 |
| 112155000/0 | 24 | 3 | p. 53 | 112293201/0 | 22 | 2 | p. 7 | 112523060/0 | 50 | 1 | p. 41 |
| 112155000/0 | 38 | 3 | p. 51 | 112293201/0 | 22 | 2 | p. 7 | 112523060/0 | 53 | 2 | p. 43 |
| 112155000/0 | 44 | 1 | p. 41 | 112293201/0 | 24 | 2 | p. 15 | 112523060/0 | 53 | 2 | p. 43 |
| 112155000/0 | 45 | 1 | p. 33 | 112293201/0 | 24 | 2 | p. 15 | 112523060/0 | 60 | 2 | p. 33 |
| 112155000/0 | 52 | 2 | p. 33 | 112293201/0 | 30 | 2 | p. 43 | 112523070/0 | 30 | 2 | p. 13 |
| 112155000/0 | 58 | 1 | p. 33 | 112293201/0 | 36 | 8 | p. 3 | 112523070/0 | 46 | 1 | p. 41 |
| 112155000/0 | 61 | 1 | p. 33 | 112293201/0 | 36 | 8 | p. 7 | 112523070/0 | 47 | 2 | p. 3 |
| 112155010/0 | 31 | 2 | p. 13 | 112293201/0 | 39 | 4 | p. 3 | 112523070/0 | 47 | 2 | p. 7 |
| 112155010/0 | 41 | 2 | p. 7 | 112293201/0 | 39 | 4 | p. 7 | 112523070/0 | 47 | 2 | p. 7 |
| 112155010/0 | 41 | 3 | p. 3 | 112293201/0 | 39 | 4 | p. 7 | 112523080/0 | 19 | 1 | p. 13 |
| 112155010/0 | 54 | 1 | p. 15 | 112293201/0 | 54 | 6 | p. 3 | 112523080/0 | 22 | 1 | p. 13 |
| 112155020/0 | 20 | 1 | p. 13 | 112293201/0 | 54 | 6 | p. 7 | 112523080/0 | 23 | 2 | p. 43 |
| 112156602/0 | 30 | 1 | p. 37 | 112293201/0 | 57 | 2 | p. 3 | 112523090/0 | 38 | 2 | p. 37 |
| 112156602/0 | 34 | 1 | p. 37 | 112293201/0 | 57 | 2 | p. 7 | 112523100/0 | 46 | 2 | p. 13 |
| 112156602/0 | 49 | 1 | p. 37 | 112293201/0 | 57 | 2 | p. 7 | 112540070/0 | 16 | 4 | p. 29 |
| 112156602/0 | 51 | 1 | p. 37 | 112293201/0 | 59 | 2 | p. 3 | 112540070/0 | 16 | 4 | p. 31 |
| 112156602/0 | 54 | 4 | p. 43 | 112293201/0 | 59 | 2 | p. 7 | 112540260/0 | 6 | 1 | p. 23 |
| | | | | 112293201/0 | 84 | 4 | p. 5 | 112540260/0 | 7 | 1 | p. 25 |
| | | | | 112293201/0 | 84 | 4 | p. 9 | 112540260/0 | 8 | 1 | p. 17 |
| | | | | 112295200/0 | 36 | 2 | p. 37 | 112540260/0 | 8 | 1 | p. 19 |
| | | | | 112295200/0 | 48 | 1 | p. 37 | 112540260/0 | 8 | 1 | p. 19 |
| | | | | 112295200/0 | 56 | 1 | p. 39 | 112540260/0 | 10 | 2 | p. 29 |
| | | | | 112295201/0 | 60 | 2 | p. 13 | 112540260/0 | 10 | 2 | p. 31 |

| code | pos. | q.ty | page | | | | | | | | | | |
|-------------|------|------|-------|-------------|----|---|-------|-------------|----|---|-------|--|--|
| 112540260/0 | 15 | 2 | p. 17 | 112726388/0 | 65 | 1 | p. 23 | 112791213/1 | 41 | 2 | p. 19 | | |
| 112540260/0 | 15 | 2 | p. 19 | 112726388/0 | 65 | 1 | p. 25 | 112791213/1 | 41 | 2 | p. 25 | | |
| 112540260/0 | 15 | 2 | p. 27 | 112726388/0 | 65 | 1 | p. 27 | 112791213/1 | 41 | 2 | p. 27 | | |
| 112540260/0 | 16 | 2 | p. 21 | 112727810/0 | 7 | 3 | p. 51 | 112791213/1 | 54 | 2 | p. 13 | | |
| 112540260/0 | 21 | 3 | p. 29 | 112728440/0 | 37 | 2 | p. 11 | 112791213/1 | 63 | 1 | p. 33 | | |
| 112540260/0 | 21 | 3 | p. 31 | 112728510/0 | 46 | 1 | p. 47 | 112791400/0 | 22 | 2 | p. 45 | | |
| 112540260/0 | 23 | 1 | p. 29 | 112728510/0 | 46 | 1 | p. 49 | 112792410/0 | 26 | 1 | p. 37 | | |
| 112540260/0 | 23 | 1 | p. 31 | 112728686/0 | 98 | 4 | p. 11 | 112792611/0 | 2 | 4 | p. 41 | | |
| 112540260/0 | 33 | 2 | p. 23 | 112729601/1 | 9 | 2 | p. 13 | 112792611/0 | 14 | 2 | p. 29 | | |
| 112540260/0 | 33 | 2 | p. 25 | 112731350/0 | 43 | 4 | p. 37 | 112792611/0 | 14 | 2 | p. 31 | | |
| 112543000/0 | 3 | 1 | p. 33 | 112731580/0 | 19 | 4 | p. 37 | 112792611/0 | 15 | 2 | p. 21 | | |
| 112581100/0 | 44 | 2 | p. 15 | 112731580/0 | 25 | 4 | p. 11 | 112792611/0 | 18 | 1 | p. 29 | | |
| 112581500/0 | 5 | 1 | p. 59 | 112734995/0 | 28 | 4 | p. 11 | 112792611/0 | 18 | 1 | p. 31 | | |
| 112583500/0 | 5 | 2 | p. 17 | 112735108/1 | 4 | 3 | p. 25 | 112792611/0 | 19 | 2 | p. 17 | | |
| 112583500/0 | 5 | 2 | p. 19 | 112735108/1 | 7 | 4 | p. 27 | 112792611/0 | 19 | 2 | p. 19 | | |
| 112583500/0 | 5 | 2 | p. 21 | 112735110/0 | 9 | 4 | p. 3 | 112792611/0 | 19 | 2 | p. 27 | | |
| 112583500/0 | 5 | 2 | p. 27 | 112735110/0 | 9 | 4 | p. 7 | 112792611/0 | 36 | 2 | p. 23 | | |
| 112583500/0 | 8 | 2 | p. 21 | 112735110/0 | 11 | 2 | p. 3 | 112792611/0 | 36 | 2 | p. 25 | | |
| 112583500/0 | 12 | 2 | p. 41 | 112735110/0 | 11 | 2 | p. 7 | 112792611/0 | 38 | 4 | p. 3 | | |
| 112583500/0 | 13 | 2 | p. 25 | 112735110/0 | 30 | 6 | p. 41 | 112792611/0 | 38 | 4 | p. 7 | | |
| 112583500/0 | 15 | 2 | p. 29 | 112735110/0 | 46 | 2 | p. 15 | 112792611/0 | 53 | 6 | p. 3 | | |
| 112583500/0 | 15 | 2 | p. 31 | 112735110/0 | 48 | 2 | p. 47 | 112792611/0 | 53 | 6 | p. 7 | | |
| 112583500/0 | 20 | 2 | p. 17 | 112735110/0 | 48 | 2 | p. 49 | 112792611/0 | 56 | 2 | p. 3 | | |
| 112583500/0 | 20 | 2 | p. 19 | 112735110/0 | 61 | 1 | p. 3 | 112792611/0 | 56 | 2 | p. 7 | | |
| 112583500/0 | 20 | 2 | p. 27 | 112735110/0 | 61 | 1 | p. 7 | 112792611/0 | 58 | 2 | p. 3 | | |
| 112583500/0 | 21 | 2 | p. 21 | 112735110/0 | 99 | 2 | p. 11 | 112792611/0 | 58 | 2 | p. 7 | | |
| 112583500/0 | 21 | 4 | p. 61 | 112735120/0 | 4 | 4 | p. 45 | 112792611/0 | 83 | 4 | p. 3 | | |
| 112583500/0 | 25 | 1 | p. 41 | 112735402/0 | 38 | 2 | p. 11 | 112792611/0 | 83 | 4 | p. 7 | | |
| 112583500/0 | 34 | 1 | p. 41 | 112735402/0 | 41 | 2 | p. 11 | 112793101/0 | 20 | 4 | p. 61 | | |
| 112583500/0 | 37 | 2 | p. 23 | 112735402/0 | 62 | 2 | p. 15 | 112793102/0 | 6 | 2 | p. 21 | | |
| 112583500/0 | 37 | 2 | p. 25 | 112735402/0 | 95 | 4 | p. 11 | 112793102/0 | 9 | 3 | p. 29 | | |
| 112583500/0 | 47 | 1 | p. 41 | 112735402/0 | 96 | 2 | p. 11 | 112793102/0 | 9 | 3 | p. 31 | | |
| 112587100/0 | 47 | 1 | p. 13 | 112735403/0 | 8 | 4 | p. 59 | 112793102/0 | 10 | 2 | p. 41 | | |
| 112604896/0 | 24 | 6 | p. 61 | 112735403/0 | 16 | 5 | p. 11 | 112793102/0 | 14 | 2 | p. 17 | | |
| 112609200/0 | 8 | 2 | p. 41 | 112735404/0 | 4 | 7 | p. 11 | 112793102/0 | 14 | 2 | p. 19 | | |
| 112609260/0 | 15 | 2 | p. 43 | 112735404/0 | 21 | 2 | p. 15 | 112793102/0 | 14 | 2 | p. 27 | | |
| 112610800/0 | 7 | 2 | p. 41 | 112735405/0 | 76 | 1 | p. 53 | 112793102/0 | 20 | 2 | p. 3 | | |
| 112620299/0 | 5 | 1 | p. 61 | 112735530/0 | 6 | 2 | p. 17 | 112793102/0 | 20 | 2 | p. 7 | | |
| 112622650/0 | 4 | 1 | p. 13 | 112735530/0 | 6 | 2 | p. 19 | 112793102/0 | 22 | 3 | p. 29 | | |
| 112674700/0 | 4 | 1 | p. 37 | 112735530/0 | 12 | 2 | p. 25 | 112793102/0 | 22 | 3 | p. 31 | | |
| 112691100/0 | 9 | 2 | p. 21 | 112735599/0 | 4 | 4 | p. 15 | 112793102/0 | 23 | 1 | p. 41 | | |
| 112691100/0 | 25 | 3 | p. 17 | 112735599/0 | 5 | 1 | p. 23 | 112793102/0 | 23 | 2 | p. 15 | | |
| 112691100/0 | 25 | 3 | p. 19 | 112735599/0 | 8 | 1 | p. 27 | 112793102/0 | 32 | 1 | p. 41 | | |
| 112691115/0 | 6 | 1 | p. 25 | 112735602/0 | 43 | 2 | p. 15 | 112793102/0 | 32 | 2 | p. 23 | | |
| 112691115/0 | 7 | 1 | p. 17 | 112735661/0 | 28 | 1 | p. 61 | 112793102/0 | 32 | 2 | p. 25 | | |
| 112691115/0 | 7 | 1 | p. 19 | 112735694/0 | 24 | 1 | p. 43 | 112793102/0 | 45 | 1 | p. 41 | | |
| 112691115/0 | 7 | 4 | p. 23 | 112735695/1 | 25 | 1 | p. 43 | 112793701/0 | 59 | 1 | p. 33 | | |
| 112691115/0 | 8 | 1 | p. 33 | 112735802/0 | 7 | 2 | p. 21 | 112793900/0 | 19 | 1 | p. 41 | | |
| 112691115/0 | 49 | 1 | p. 33 | 112735821/0 | 17 | 4 | p. 29 | 112794950/0 | 23 | 1 | p. 13 | | |
| 112691200/0 | 16 | 3 | p. 41 | 112735821/0 | 17 | 4 | p. 31 | 112815200/0 | 11 | 2 | p. 15 | | |
| 112691400/0 | 48 | 1 | p. 33 | 112737320/0 | 2 | 1 | p. 33 | 112815200/0 | 12 | 4 | p. 3 | | |
| 112691600/0 | 11 | 1 | p. 37 | 112737450/0 | 6 | 2 | p. 27 | 112815200/0 | 12 | 4 | p. 7 | | |
| 112691600/0 | 54 | 4 | p. 33 | 112760515/0 | 48 | 2 | p. 3 | 112815200/0 | 15 | 2 | p. 3 | | |
| 112691700/0 | 15 | 1 | p. 41 | 112760515/0 | 48 | 2 | p. 7 | 112815200/0 | 15 | 2 | p. 7 | | |
| 112691700/0 | 57 | 1 | p. 33 | 112760520/0 | 23 | 3 | p. 53 | 112815200/0 | 18 | 2 | p. 3 | | |
| 112691800/0 | 42 | 1 | p. 33 | 112788512/0 | 62 | 2 | p. 21 | 112815200/0 | 18 | 2 | p. 7 | | |
| 112692050/0 | 28 | 2 | p. 43 | 112789000/0 | 12 | 1 | p. 47 | 112815200/0 | 27 | 3 | p. 41 | | |
| 112692695/0 | 45 | 1 | p. 13 | 112789000/0 | 12 | 1 | p. 49 | 112815200/0 | 32 | 8 | p. 3 | | |
| 112726388/0 | 27 | 1 | p. 29 | 112789000/0 | 13 | 1 | p. 61 | 112815200/0 | 32 | 8 | p. 7 | | |
| 112726388/0 | 27 | 1 | p. 31 | 112789000/0 | 23 | 2 | p. 61 | 112815200/0 | 94 | 4 | p. 5 | | |
| 112726388/0 | 65 | 1 | p. 17 | 112789000/0 | 44 | 2 | p. 3 | 112815200/0 | 94 | 4 | p. 9 | | |
| 112726388/0 | 65 | 1 | p. 19 | 112789000/0 | 44 | 2 | p. 7 | 112815210/0 | 3 | 2 | p. 57 | | |
| 112726388/0 | 65 | 1 | p. 21 | 112789000/0 | 44 | 2 | p. 49 | 112815221/0 | 33 | 4 | p. 11 | | |
| | | | | 112789000/0 | 33 | 2 | p. 49 | 112815221/0 | 41 | 2 | p. 21 | | |
| | | | | 112789100/0 | 16 | 2 | p. 61 | 112815221/0 | 41 | 2 | p. 23 | | |
| | | | | 112789195/0 | 4 | 1 | p. 59 | 112815221/0 | 41 | 2 | p. 23 | | |
| | | | | 112791213/1 | 41 | 2 | p. 17 | 112815245/0 | 36 | 4 | p. 15 | | |

| code | pos. | q.ty | page | | | | | | | | | | |
|-------------|------|------|-------|-------------|----|---|-------|-------------|----|---|-------|--|--|
| 112818690/0 | 2 | 4 | p. 47 | 118738224/0 | 4 | 1 | p. 17 | 125160018/1 | 47 | 1 | p. 33 | | |
| 112818690/0 | 2 | 4 | p. 49 | 118738227/0 | 11 | 1 | p. 25 | 125160021/0 | 6 | 1 | p. 33 | | |
| 112818690/0 | 6 | 4 | p. 3 | 118738231/1 | 4 | 1 | p. 27 | 125160024/2 | 46 | 1 | p. 33 | | |
| 112818690/0 | 6 | 4 | p. 7 | 118738256/0 | 6 | 1 | p. 29 | 125160035/0 | 14 | 3 | p. 25 | | |
| 112818690/0 | 7 | 2 | p. 37 | 118738256/0 | 6 | 1 | p. 31 | 125160058/0 | 69 | 2 | p. 33 | | |
| 112818690/0 | 15 | 2 | p. 37 | 118738257/0 | 7 | 1 | p. 29 | 125160079/0 | 41 | 1 | p. 41 | | |
| 112818690/0 | 21 | 1 | p. 33 | 118738257/0 | 7 | 1 | p. 31 | 125160081/0 | 41 | 1 | p. 33 | | |
| 112818690/0 | 35 | 8 | p. 3 | 118802723/0 | 24 | 1 | p. 33 | 125253004/0 | 79 | 2 | p. 53 | | |
| 112818690/0 | 35 | 8 | p. 7 | 119035000/0 | 11 | 2 | p. 45 | 125260000/0 | 39 | 2 | p. 11 | | |
| 112818700/0 | 16 | 6 | p. 43 | 119216047/0 | 13 | 4 | p. 43 | 125318124/0 | 43 | 1 | p. 47 | | |
| 112818900/0 | 42 | 1 | p. 41 | 119216048/0 | 6 | 2 | p. 41 | 125318124/0 | 43 | 1 | p. 49 | | |
| 114356699/1 | 7 | 2 | p. 55 | 119410605/1 | 14 | 1 | p. 51 | 125394501/0 | 64 | 1 | p. 21 | | |
| 114361439/0 | 5 | 1 | p. 55 | 119410609/0 | 42 | 1 | p. 15 | 125394501/0 | 64 | 1 | p. 23 | | |
| 114361440/0 | 1 | 1 | p. 55 | 119410613/0 | 52 | 1 | p. 15 | 125394501/0 | 64 | 1 | p. 25 | | |
| 114361441/0 | 10 | 1 | p. 55 | 119410614/0 | 25 | 1 | p. 15 | 125394501/0 | 64 | 1 | p. 27 | | |
| 114361451/0 | 74 | 1 | p. 35 | 119410615/0 | 13 | 3 | p. 51 | 125394508/0 | 3 | 1 | p. 37 | | |
| 114361452/0 | 6 | 1 | p. 55 | 122041980/0 | 9 | 2 | p. 37 | 125394508/0 | 25 | 1 | p. 47 | | |
| 114361553/1 | 11 | 1 | p. 55 | 122041980/0 | 51 | 1 | p. 15 | 125420020/0 | 12 | 1 | p. 55 | | |
| 114364616/0 | 13 | 1 | p. 55 | 122110230/0 | 8 | 2 | p. 63 | 125420024/0 | 2 | 1 | p. 55 | | |
| 118120002/1 | 31 | 1 | p. 51 | 122110230/0 | 8 | 2 | p. 69 | 125430213/0 | 16 | 1 | p. 15 | | |
| 118210022/0 | 6 | 1 | p. 51 | 122110230/0 | 17 | 2 | p. 63 | 125430213/0 | 48 | 1 | p. 15 | | |
| 118375051/1 | 1 | 2 | p. 29 | 122110230/0 | 17 | 2 | p. 69 | 125430245/0 | 75 | 1 | p. 53 | | |
| 118375051/1 | 1 | 2 | p. 31 | 122110239/0 | 8 | 2 | p. 69 | 125430252/0 | 20 | 1 | p. 29 | | |
| 118375051/1 | 3 | 2 | p. 19 | 122110239/0 | 17 | 2 | p. 69 | 125430252/0 | 20 | 1 | p. 31 | | |
| 118375051/1 | 3 | 2 | p. 23 | 122160400/0 | 22 | 2 | p. 43 | 125430257/1 | 46 | 2 | p. 3 | | |
| 118375051/1 | 3 | 2 | p. 25 | 122170950/0 | 42 | 2 | p. 21 | 125430257/1 | 46 | 2 | p. 7 | | |
| 118375051/1 | 3 | 4 | p. 17 | 122170950/0 | 42 | 2 | p. 23 | 125430259/0 | 13 | 1 | p. 37 | | |
| 118375051/1 | 3 | 4 | p. 21 | 122430216/1 | 4 | 1 | p. 33 | 125430260/0 | 17 | 1 | p. 33 | | |
| 118375051/1 | 3 | 4 | p. 27 | 122446402/0 | 25 | 1 | p. 37 | 125430276/0 | 60 | 1 | p. 3 | | |
| 118399062/0 | 1 | 1 | p. 33 | 122450432/0 | 16 | 1 | p. 47 | 125430276/0 | 60 | 1 | p. 7 | | |
| 118400862/0 | 5 | 1 | p. 51 | 122450432/0 | 16 | 1 | p. 49 | 125430285/0 | 12 | 1 | p. 61 | | |
| 118400919/2 | 53 | 1 | p. 33 | 122517866/0 | 26 | 3 | p. 61 | 125430285/0 | 25 | 1 | p. 61 | | |
| 118401001/1 | 4 | 1 | p. 29 | 122524970/2 | 40 | 2 | p. 3 | 125463200/0 | 18 | 2 | p. 43 | | |
| 118401001/1 | 4 | 1 | p. 31 | 122524970/2 | 40 | 2 | p. 7 | 125510021/1 | 45 | 1 | p. 53 | | |
| 118401001/1 | 10 | 1 | p. 25 | 122524970/3 | 14 | 1 | p. 15 | 125510022/0 | 3 | 2 | p. 53 | | |
| 118401001/1 | 11 | 1 | p. 23 | 122671653/0 | 49 | 2 | p. 3 | 125510070/0 | 32 | 1 | p. 37 | | |
| 118401001/1 | 12 | 1 | p. 27 | 122671653/0 | 49 | 2 | p. 7 | 125510070/0 | 37 | 2 | p. 37 | | |
| 118401001/1 | 14 | 1 | p. 21 | 122671653/0 | 51 | 2 | p. 33 | 125510072/0 | 27 | 2 | p. 43 | | |
| 118450060/1 | 28 | 1 | p. 51 | 122746609/0 | 58 | 2 | p. 13 | 125510077/0 | 74 | 1 | p. 53 | | |
| 118450068/0 | 27 | 1 | p. 51 | 124487997/0 | 22 | 1 | p. 37 | 125510079/1 | 17 | 2 | p. 11 | | |
| 118450072/0 | 2 | 1 | p. 51 | 124487998/0 | 4 | 2 | p. 53 | 125510080/1 | 14 | 1 | p. 47 | | |
| 118459100/0 | 26 | 2 | p. 51 | 124487998/0 | 19 | 2 | p. 11 | 125510080/1 | 14 | 1 | p. 49 | | |
| 118550135/0 | 4 | 1 | p. 51 | 124487998/0 | 31 | 1 | p. 37 | 125510087/0 | 11 | 1 | p. 33 | | |
| 118550136/0 | 3 | 1 | p. 51 | 124487998/0 | 39 | 2 | p. 37 | 125510090/0 | 55 | 1 | p. 39 | | |
| 118562996/0 | 10 | 1 | p. 17 | 124487998/0 | 46 | 1 | p. 37 | 125510098/0 | 47 | 1 | p. 37 | | |
| 118564861/1 | 33 | 1 | p. 51 | 124487998/0 | 54 | 1 | p. 39 | 125510132/0 | 15 | 1 | p. 13 | | |
| 118564861/1 | 45 | 1 | p. 17 | 124487999/0 | 46 | 2 | p. 53 | 125519997/1 | 22 | 1 | p. 53 | | |
| 118564861/1 | 45 | 1 | p. 19 | 125020800/1 | 10 | 1 | p. 43 | 125520006/1 | 2 | 1 | p. 13 | | |
| 118564864/1 | 45 | 1 | p. 25 | 125020801/2 | 11 | 1 | p. 43 | 125580020/0 | 93 | 2 | p. 11 | | |
| 118564864/1 | 45 | 1 | p. 27 | 125033060/0 | 12 | 2 | p. 45 | 125590014/0 | 4 | 2 | p. 63 | | |
| 118736110/0 | 43 | 1 | p. 17 | 125033119/0 | 50 | 1 | p. 15 | 125590014/0 | 4 | 2 | p. 65 | | |
| 118736110/0 | 43 | 1 | p. 19 | 125034002/1 | 42 | 4 | p. 13 | 125590014/0 | 4 | 2 | p. 67 | | |
| 118736110/0 | 43 | 1 | p. 25 | 125038000/0 | 14 | 4 | p. 41 | 125590015/0 | 13 | 2 | p. 63 | | |
| 118736110/0 | 43 | 1 | p. 27 | 125060100/3 | 29 | 1 | p. 41 | 125590015/0 | 13 | 2 | p. 65 | | |
| 118737849/0 | 5 | 1 | p. 29 | 125065017/0 | 46 | 1 | p. 17 | 125590015/0 | 13 | 2 | p. 67 | | |
| 118737849/0 | 5 | 1 | p. 31 | 125065017/0 | 46 | 1 | p. 19 | 125590020/0 | 4 | 2 | p. 69 | | |
| 118737849/0 | 9 | 1 | p. 25 | 125065017/0 | 46 | 1 | p. 25 | 125590022/0 | 13 | 2 | p. 69 | | |
| 118737849/0 | 10 | 1 | p. 23 | 125065017/0 | 46 | 1 | p. 27 | 125598050/0 | 3 | 1 | p. 29 | | |
| 118737849/0 | 11 | 1 | p. 27 | 125090007/0 | 71 | 1 | p. 21 | 125598060/0 | 3 | 1 | p. 31 | | |
| 118737849/0 | 13 | 1 | p. 21 | 125122200/2 | 3 | 4 | p. 63 | 125600041/0 | 41 | 1 | p. 47 | | |
| 118738204/0 | 4 | 1 | p. 21 | 125122200/2 | 3 | 4 | p. 65 | 125600041/0 | 41 | 1 | p. 49 | | |
| 118738206/0 | 4 | 1 | p. 19 | 125122200/2 | 3 | 4 | p. 67 | 125600042/0 | 42 | 1 | p. 47 | | |
| 118738221/0 | 12 | 1 | p. 23 | 125122200/2 | 3 | 4 | p. 69 | 125600042/0 | 42 | 1 | p. 49 | | |
| 118738222/0 | 13 | 1 | p. 23 | 125160002/0 | 35 | 1 | p. 41 | 125600048/0 | 47 | 1 | p. 47 | | |
| | | | | 125160003/0 | 13 | 4 | p. 41 | 125600048/0 | 47 | 1 | p. 49 | | |
| | | | | 125160016/1 | 44 | 1 | p. 13 | 125601550/0 | 31 | 1 | p. 41 | | |

| code | pos. | q.ty | page | | | | | | | | | |
|-------------|------|------|-------|-------------|-----|---|-------|-------------|----|---|-------|--|
| 125601554/0 | 14 | 1 | p. 33 | 133215000/0 | 10 | 2 | p. 51 | 325110393/0 | 91 | 1 | p. 11 | |
| 125601559/1 | 5 | 2 | p. 41 | 133320506/0 | 8 | 2 | p. 51 | 325110413/0 | 31 | 1 | p. 47 | |
| 125601560/0 | 21 | 2 | p. 41 | 133320506/0 | 35 | 9 | p. 51 | 325110416/0 | 2 | 1 | p. 15 | |
| 125601577/0 | 5 | 1 | p. 33 | 133340036/0 | 11 | 1 | p. 51 | 325110417/0 | 32 | 1 | p. 15 | |
| 125601588/0 | 50 | 2 | p. 33 | 133340040/0 | 11 | 1 | p. 51 | 325110418/0 | 33 | 1 | p. 15 | |
| 125670005/1 | 6 | 2 | p. 63 | 133500007/0 | 12 | 2 | p. 51 | 325110419/0 | 94 | 1 | p. 11 | |
| 125670005/1 | 6 | 2 | p. 65 | 133500030/0 | 25 | 2 | p. 51 | 325110420/0 | 91 | 1 | p. 11 | |
| 125670005/1 | 6 | 2 | p. 67 | 133567000/0 | 45 | 1 | p. 21 | 325110421/0 | 31 | 1 | p. 47 | |
| 125670005/1 | 6 | 2 | p. 69 | 133567000/0 | 45 | 1 | p. 23 | 325120245/0 | 36 | 1 | p. 11 | |
| 125670005/1 | 15 | 2 | p. 63 | 135062014/0 | 23 | 1 | p. 33 | 325122000/2 | 51 | 2 | p. 3 | |
| 125670005/1 | 15 | 2 | p. 65 | 135062811/0 | 48 | 1 | p. 41 | 325122000/2 | 51 | 2 | p. 7 | |
| 125670005/1 | 15 | 2 | p. 67 | 135065600/0 | 26 | 1 | p. 41 | 325140097/0 | 72 | 1 | p. 53 | |
| 125670005/1 | 15 | 2 | p. 69 | 138780531/0 | 2 | 1 | p. 29 | 325160039/0 | 4 | 2 | p. 57 | |
| 125670005/1 | 70 | 2 | p. 33 | 138780531/0 | 2 | 1 | p. 31 | 325160501/0 | 14 | 2 | p. 43 | |
| 125670007/0 | 24 | 1 | p. 41 | 182000200/1 | 61 | 1 | p. 17 | 325207171/0 | 61 | 1 | p. 15 | |
| 125670019/0 | 17 | 1 | p. 13 | 182000200/1 | 61 | 1 | p. 19 | 325207176/0 | 11 | 1 | p. 57 | |
| 125722442/0 | 9 | 1 | p. 51 | 182000200/1 | 61 | 1 | p. 21 | 325207176/0 | 11 | 1 | p. 59 | |
| 125722443/0 | 9 | 1 | p. 51 | 182000200/1 | 61 | 1 | p. 23 | 325253007/1 | 49 | 1 | p. 15 | |
| 125722453/1 | 8 | 1 | p. 61 | 182000200/1 | 61 | 1 | p. 25 | 325256250/0 | 20 | 1 | p. 11 | |
| 125722456/0 | 10 | 1 | p. 61 | 182000201/2 | 24 | 1 | p. 29 | 325280000/1 | 77 | 1 | p. 53 | |
| 125722463/0 | 7 | 1 | p. 61 | 182000201/2 | 24 | 1 | p. 31 | 325318115/1 | 36 | 1 | p. 41 | |
| 125722470/0 | 6 | 1 | p. 61 | 182000212/0 | 61 | 1 | p. 27 | 325318257/0 | 62 | 1 | p. 33 | |
| 125722471/0 | 9 | 1 | p. 61 | 182000590/1 | 2 | 2 | p. 69 | 325318281/0 | 16 | 1 | p. 13 | |
| 125722478/1 | 11 | 1 | p. 61 | 182000592/0 | 12 | 2 | p. 69 | 325318327/0 | 29 | 1 | p. 61 | |
| 125795000/1 | 2 | 1 | p. 57 | 182000598/0 | 2 | 2 | p. 63 | 325394005/0 | 73 | 1 | p. 53 | |
| 125795001/1 | 2 | 1 | p. 59 | 182000598/0 | 2 | 2 | p. 65 | 325410899/0 | 2 | 1 | p. 11 | |
| 125840005/0 | 19 | 1 | p. 33 | 182000599/0 | 2 | 2 | p. 67 | 325410900/0 | 3 | 1 | p. 11 | |
| 125840011/1 | 78 | 1 | p. 53 | 182000599/0 | 12 | 2 | p. 63 | 325430253/0 | 43 | 1 | p. 3 | |
| 125840023/0 | 57 | 1 | p. 13 | 182000599/0 | 12 | 2 | p. 65 | 325430253/0 | 43 | 1 | p. 7 | |
| 125840024/0 | 44 | 1 | p. 37 | 182000599/0 | 12 | 2 | p. 67 | 325547033/2 | 19 | 1 | p. 61 | |
| 125840025/0 | 52 | 1 | p. 39 | 182004340/1 | 42 | 1 | p. 43 | 325547037/1 | 3 | 2 | p. 15 | |
| 125840031/0 | 35 | 2 | p. 37 | 182004341/1 | 41 | 1 | p. 43 | 325547037/1 | 35 | 2 | p. 15 | |
| 125943011/0 | 3 | 6 | p. 45 | 182004347/0 | 21 | 1 | p. 43 | 325547041/1 | 18 | 2 | p. 37 | |
| 125943012/0 | 20 | 2 | p. 21 | 182004348/0 | 20 | 1 | p. 43 | 325547109/2 | 24 | 2 | p. 11 | |
| 125943012/0 | 25 | 2 | p. 29 | 182004608/0 | 91 | 1 | p. 41 | 325547375/0 | 22 | 1 | p. 15 | |
| 125943012/0 | 25 | 2 | p. 31 | 182040073/0 | 24 | 1 | p. 51 | 325580500/0 | 2 | 1 | p. 61 | |
| 125943012/0 | 62 | 2 | p. 17 | 182040192/0 | 1 | 1 | p. 51 | 325580501/0 | 2 | 1 | p. 61 | |
| 125943012/0 | 62 | 2 | p. 19 | 182040192/0 | 24 | 1 | p. 51 | 325580508/0 | 4 | 1 | p. 61 | |
| 125943012/0 | 62 | 2 | p. 23 | 182040201/0 | 1 | 1 | p. 51 | 325592000/0 | 26 | 1 | p. 29 | |
| 125943012/0 | 62 | 2 | p. 25 | 182040202/0 | 1 | 1 | p. 51 | 325592000/0 | 26 | 1 | p. 31 | |
| 125943012/0 | 62 | 2 | p. 27 | 182105973/0 | 22 | 1 | p. 47 | 325592000/0 | 64 | 1 | p. 17 | |
| 125950000/0 | 5 | 2 | p. 63 | 182105974/0 | 22 | 1 | p. 49 | 325592000/0 | 64 | 1 | p. 19 | |
| 125950000/0 | 5 | 2 | p. 65 | 182180090/0 | 51 | 1 | p. 53 | 325599014/0 | 31 | 1 | p. 11 | |
| 125950000/0 | 5 | 2 | p. 67 | 182180091/0 | 51 | 1 | p. 53 | 325599015/0 | 32 | 1 | p. 11 | |
| 125950000/0 | 5 | 2 | p. 69 | 182700001/0 | 26 | 2 | p. 43 | 325599074/0 | 40 | 1 | p. 11 | |
| 125950000/0 | 14 | 2 | p. 63 | 182750003/0 | 11 | 1 | p. 31 | 325601599/0 | 40 | 1 | p. 41 | |
| 125950000/0 | 14 | 2 | p. 65 | 182750003/0 | 31 | 1 | p. 23 | 325601599/0 | 43 | 1 | p. 33 | |
| 125950000/0 | 14 | 2 | p. 67 | 182750010/0 | 16 | 1 | p. 17 | 325605003/0 | 19 | 1 | p. 11 | |
| 125950000/0 | 14 | 2 | p. 69 | 182750010/0 | 16 | 1 | p. 19 | 325650037/0 | 9 | 1 | p. 41 | |
| 125961201/0 | 1 | 1 | p. 61 | 182750010/0 | 16 | 1 | p. 27 | 325650113/0 | 6 | 1 | p. 37 | |
| 125961209/0 | 1 | 1 | p. 61 | 182750010/0 | 17 | 1 | p. 21 | 325650147/0 | 55 | 2 | p. 3 | |
| 125961212/0 | 1 | 1 | p. 61 | 182750010/0 | 31 | 1 | p. 25 | 325650147/0 | 55 | 2 | p. 7 | |
| 127394000/0 | 32 | 1 | p. 49 | 182750014/0 | 11 | 1 | p. 29 | 325670008/1 | 29 | 2 | p. 37 | |
| 127430561/0 | 44 | 1 | p. 21 | 325038004/0 | 1 | 1 | p. 13 | 325670008/1 | 33 | 2 | p. 37 | |
| 127430561/0 | 44 | 1 | p. 23 | 325040624/0 | 13 | 2 | p. 13 | 325670008/1 | 45 | 1 | p. 37 | |
| 127570050/0 | 3 | 1 | p. 13 | 325060034/1 | 20 | 1 | p. 15 | 325670008/1 | 50 | 2 | p. 37 | |
| 127590066/0 | 4 | 2 | p. 63 | 325060156/2 | 1 | 1 | p. 45 | 325670008/1 | 52 | 8 | p. 43 | |
| 127590066/0 | 4 | 2 | p. 65 | 325060157/1 | 2 | 1 | p. 45 | 325670008/1 | 53 | 1 | p. 39 | |
| 127590066/0 | 4 | 2 | p. 67 | 325060160/0 | 21 | 1 | p. 45 | 325670008/1 | 58 | 2 | p. 39 | |
| 127598060/0 | 8 | 1 | p. 25 | 325108052/0 | 5 | 7 | p. 11 | 325670011/0 | 21 | 1 | p. 37 | |
| 127598060/0 | 10 | 1 | p. 27 | 325110319/0 | 31 | 1 | p. 47 | 325670025/0 | 71 | 2 | p. 33 | |
| 127598061/1 | 12 | 1 | p. 21 | 325110320/0 | 31 | 1 | p. 47 | 325735124/0 | 1 | 1 | p. 59 | |
| | | | | 325110326/0 | 105 | 1 | p. 5 | 325735128/0 | 1 | 1 | p. 57 | |
| | | | | 325110327/0 | 104 | 1 | p. 5 | 325735511/0 | 14 | 1 | p. 37 | |
| | | | | 325110342/0 | 31 | 1 | p. 47 | 325735513/0 | 18 | 1 | p. 13 | |
| | | | | 325110392/0 | 94 | 1 | p. 11 | 325743000/0 | 5 | 1 | p. 13 | |

| code | pos. | q.ty | page | | | | |
|-------------|------|------|-------|-------------|-----|---|-------|
| 325743000/0 | 52 | 1 | p. 13 | 382076962/0 | 1 | 1 | p. 11 |
| 325755031/1 | 11 | 1 | p. 47 | 382076969/0 | 1 | 1 | p. 11 |
| 325755031/1 | 11 | 1 | p. 49 | 382108021/0 | 32 | 2 | p. 45 |
| 325755039/0 | 37 | 2 | p. 3 | 382110252/0 | 8 | 2 | p. 65 |
| 325755039/0 | 37 | 2 | p. 7 | 382110253/0 | 17 | 2 | p. 65 |
| 325755041/0 | 97 | 2 | p. 11 | 382110273/1 | 31 | 1 | p. 49 |
| 325755043/0 | 42 | 1 | p. 3 | 382110274/0 | 8 | 2 | p. 67 |
| 325755043/0 | 42 | 1 | p. 7 | 382110275/0 | 17 | 2 | p. 67 |
| 325755049/0 | 18 | 1 | p. 33 | 382180048/0 | 26 | 1 | p. 47 |
| 325774213/0 | 43 | 1 | p. 53 | 382180062/0 | 5 | 1 | p. 53 |
| 325774301/2 | 15 | 1 | p. 11 | 382180120/0 | 23 | 1 | p. 49 |
| 325774315/1 | 13 | 1 | p. 47 | 382207200/1 | 8 | 1 | p. 43 |
| 325774315/1 | 13 | 1 | p. 49 | 382207201/2 | 9 | 1 | p. 43 |
| 325774373/0 | 33 | 2 | p. 45 | 382230377/1 | 49 | 1 | p. 13 |
| 325774381/0 | 5 | 1 | p. 45 | 382230379/1 | 50 | 1 | p. 13 |
| 325774383/0 | 6 | 1 | p. 45 | 382318217/0 | 7 | 1 | p. 33 |
| 325774575/0 | 27 | 1 | p. 61 | 382318219/1 | 2 | 1 | p. 37 |
| 325785185/0 | 34 | 2 | p. 15 | 382318289/0 | 13 | 1 | p. 15 |
| 325785213/1 | 8 | 1 | p. 13 | 382318289/0 | 47 | 1 | p. 15 |
| 325785213/1 | 53 | 1 | p. 13 | 382394003/0 | 23 | 1 | p. 47 |
| 325785241/0 | 14 | 1 | p. 3 | 382394853/0 | 41 | 1 | p. 15 |
| 325785241/0 | 14 | 1 | p. 7 | 382500037/1 | 1 | 1 | p. 15 |
| 325785243/1 | 4 | 1 | p. 3 | 382510077/0 | 89 | 1 | p. 9 |
| 325785243/1 | 4 | 1 | p. 7 | 382510079/0 | 88 | 1 | p. 9 |
| 325785245/0 | 5 | 1 | p. 3 | 382510081/0 | 103 | 1 | p. 5 |
| 325785245/0 | 5 | 1 | p. 7 | 382510083/0 | 102 | 1 | p. 5 |
| 325785249/1 | 31 | 2 | p. 3 | 382547029/0 | 1 | 1 | p. 41 |
| 325785249/1 | 31 | 2 | p. 7 | 382547041/1 | 52 | 1 | p. 3 |
| 325785255/0 | 10 | 1 | p. 3 | 382547041/1 | 52 | 1 | p. 7 |
| 325785255/0 | 10 | 1 | p. 7 | 382564151/0 | 1 | 1 | p. 43 |
| 325785257/1 | 34 | 2 | p. 3 | 382598003/1 | 19 | 1 | p. 21 |
| 325785257/1 | 34 | 2 | p. 7 | 382598005/2 | 35 | 1 | p. 23 |
| 325785261/0 | 10 | 1 | p. 15 | 382598009/2 | 18 | 1 | p. 17 |
| 325785261/0 | 53 | 1 | p. 15 | 382598009/2 | 18 | 1 | p. 19 |
| 325785272/0 | 45 | 1 | p. 47 | 382598029/0 | 35 | 1 | p. 25 |
| 325785272/0 | 45 | 1 | p. 49 | 382598039/0 | 18 | 1 | p. 27 |
| 325785275/0 | 1 | 2 | p. 47 | 382598065/0 | 13 | 1 | p. 29 |
| 325785275/0 | 1 | 2 | p. 49 | 382598065/0 | 13 | 1 | p. 31 |
| 325785289/0 | 7 | 1 | p. 59 | 382735502/0 | 42 | 1 | p. 53 |
| 325785291/0 | 3 | 1 | p. 59 | 382774249/0 | 1 | 1 | p. 37 |
| 325785499/0 | 21 | 1 | p. 3 | 382785084/1 | 4 | 1 | p. 41 |
| 325785499/0 | 21 | 1 | p. 7 | 382785151/2 | 8 | 1 | p. 3 |
| 325869057/0 | 2 | 1 | p. 17 | 382785151/2 | 8 | 1 | p. 7 |
| 325869057/0 | 2 | 1 | p. 19 | 382785153/1 | 17 | 2 | p. 3 |
| 325869057/0 | 2 | 1 | p. 21 | 382785153/1 | 17 | 2 | p. 7 |
| 325869057/0 | 2 | 1 | p. 23 | 382785191/0 | 37 | 1 | p. 51 |
| 325869057/0 | 2 | 1 | p. 25 | 382785201/0 | 56 | 1 | p. 33 |
| 325869057/0 | 2 | 1 | p. 27 | 382800110/0 | 21 | 1 | p. 49 |
| 325961222/1 | 3 | 1 | p. 61 | 382800111/0 | 21 | 1 | p. 47 |
| 327063021/1 | 15 | 1 | p. 61 | 382869023/0 | 24 | 1 | p. 47 |
| 327546015/2 | 42 | 2 | p. 37 | 382869035/0 | 2 | 1 | p. 53 |
| 327670055/0 | 10 | 1 | p. 33 | 382869041/0 | 26 | 1 | p. 11 |
| 327772099/1 | 36 | 1 | p. 51 | | | | |
| 382000387/0 | 17 | 1 | p. 37 | | | | |
| 382000474/1 | 51 | 2 | p. 43 | | | | |
| 382000577/0 | 5 | 1 | p. 15 | | | | |
| 382000587/0 | 41 | 1 | p. 37 | | | | |
| 382000589/0 | 28 | 1 | p. 37 | | | | |
| 382000605/1 | 31 | 1 | p. 15 | | | | |
| 382000609/0 | 38 | 1 | p. 15 | | | | |
| 382000610/0 | 29 | 1 | p. 13 | | | | |
| 382000618/0 | 20 | 1 | p. 37 | | | | |
| 382033117/0 | 44 | 1 | p. 53 | | | | |
| 382034036/0 | 41 | 1 | p. 13 | | | | |